







# JD 7000-7010 Series

## Seat & Suspension Kits



### CHOOSE FROM

- |   |    |   |    |   |    |   |    |   |    |   |
|---|----|---|----|---|----|---|----|---|----|---|
|    | OR |  | OR |  | OR |  | OR |  | OR |  |
| <b>KM 1061 Uni Pro™</b><br>Seat & Air Suspension<br><b>PN: 6717</b><br>Brown Fabric |    | <b>1310 Uni Pro™ Seat</b><br>& Air Suspension<br><b>PN: 6719</b><br>Brown Fabric  |    | <b>1000 Uni Pro™ Seat</b><br>& Air Suspension<br><b>PN: 6715</b><br>Brown Fabric  |    | <b>1003 Uni Pro™ Seat</b><br>& Air Suspension<br><b>PN: 6716</b><br>Brown Fabric  |    | <b>1300 Uni Pro™ Seat</b><br>& Air Suspension<br><b>PN: 6718</b><br>Brown Fabric    |    | <b>KM 1000/1003</b><br>Air Suspension<br><b>PN: 6775</b>                            |

**NEW PLUG & PLAY SEAT KITS** (PNs: 6717 & 6719)  
Complete plug and play wiring for easy install.

See **PAGES 2-4** for applications, drawings and additional part information.

Adjustable fold-up armrests allow easy access to the seat and individual comfort

Tapered back support and adjustable backrest adds comfort and versatility

Adjustable mechanical lumbar supports your lower back with multiple settings and provides extra back support (lever on backrest)

PN: 6717

When seated, seat depth adjustment (right) and cushion angle adjustment (left) for individual fit

Cut and sew cushions for operator comfort

Air adjustment switch

Adjustable slide rails with 4" of travel

Durable suspension cover keeps suspension components free of dirt and dust

Fore/aft isolator absorbs jarring for extra comfort (Isolator can also be disabled.)

- Replacement kits for original seat
- **Grammer MSG95/741 Seat**
- Made with durable cut and sew brown fabric
- Backrest extension for extra height adjustment
- Air suspension for smoother, more comfortable ride
- Self-contained 12-volt compressor is wired to the tractor's electrical system to provide power to the suspension
- Suspension stroke of 3.94"
- Shock absorber adjusts for different settings
- 8.25" fore/aft suspension travel
- 3" height adjustment
- Comes standard with operator presence switch

**PN: 6717 Includes:** KM 1061 Uni Pro™ Seat & Suspension, Seat Adapter Plate, Install Hardware & Installation Instructions

Swivel is Optional (PN: 5007 for PN: 6717)

# APPLICATIONS



Tractors

**Fits - John Deere® 7000-7010 Series Tractors:**  
**7000 Series:** 7200, 7400, 7500, 7600, 7700, 7800  
**7010 Series:** 7210, 7410, 7510, 7610, 7710, 7810

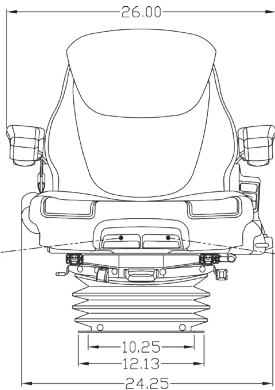
**PN: 6719 Includes:** KM 1310 Uni Pro™ Seat & Suspension, Seat Adapter Plate, Install Hardware & Installation Instructions

Swivel is Optional (PN: 5007 for PN: 6719)

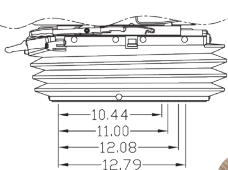
- Plush, spacious brown fabric cushions for comfort
- **Grammer MSG95 DDS/741 Seat**
- Low-frequency Grammer MSG95G DDS (Dynamic Dampening Suspension) air suspension
- Self-contained 12-volt compressor is wired to the tractor's electrical system to provide power to the suspension compressor
- Adjustable fold-up armrest for easy access
- 21.6" seat cushion width
- 3.9" suspension stroke
- 3.1" height adjustment
- Weight adjustment
- Meets ANSI requirements and ISO specifications

**NEW PLUG & PLAY SEAT KITS** (PNs: 6717 & 6719)  
**Complete plug and play wiring for easy install.**

**FRONT VIEW**  
**PNs: 6717 & 6719**



**SIDE VIEW**  
**PNs: 6717 & 6719**



**PN: 6719**



**Adjustable backrest extension** for extra height on back

**Adjustable lumbar supports** your lower back with multiple settings

**-10° – +34° adjustable backrest** adds comfort and versatility

**Air switch**

**Slide rails provide 8.3" fore/aft adjustment** ensuring operator comfort

**Fore/aft isolator** absorbs jarring for extra comfort

**When seated, seat depth adjustment (right) and cushion angle adjustment (left) for individual fit**

**Durable rubber molded suspension cover** keeps suspension components free of dirt and dust



- Replacement kits for seat & air suspension
- Made with durable brown Tufftex fabric
- Adjustable lumbar support
- Air suspension for smoother, more comfortable ride
- Self-contained 12-volt compressor is wired to tractor's electrical system to provide power to the suspension
- Slide rails provide 5" fore/aft adjustment
- Durable rubber molded suspension cover
- Comes standard with operator presence switch

PN: 6715

**Adjustable padded armrests** fold up and out of the way allowing easy access to the seat and individual comfort

**Adjustable backrest angle** adds comfort and versatility

**Fore/aft isolator** absorbs jarring for extra comfort (Isolator can also be disabled.)

**Side-to-side isolator** provides lateral movement (Just PN: 6715)

**Easily accessible push-pull air switch**

**Adjustable shock absorber** (Just PN: 6715)

See **PAGE 4** for drawings.

PN: 6716



**PN: 6715 Includes:** KM 1000 Uni Pro™ Seat & Suspension, Pedestal, Install Hardware & Installation Instructions

**PN: 6716 Includes:** KM 1003 Uni Pro™ Seat & Suspension, Pedestal, Install Hardware & Installation Instructions

**PN: 6775 Includes:** KM 1000/1003 Air Suspension, Replacement Personal Posture Seat Cushion, Pedestal, Slide Rails, Seat Adapter Plate & Angles, Swivel, Wiring Harness, Install Hardware & Installation Instructions

Swivel is Optional (PN: 5003 for PNs: 6715 & 6716)

PN: 6775

- Suspension replacement kit
- Original Sears air suspension
- Self-contained 12-Volt compressor
- Fore/aft isolator absorbs jarring for extra comfort
- 5" suspension stroke
- 9" maximum height



**Air valve**

**Rubber molded suspension cover** keeps suspension components free of dirt and dust

- Vibration reduction system improves comfort, performance and productivity
- Semi-active suspension system provides improved vibration reduction
- Contoured cushions for added comfort
- +/- 25° swivel
- Front mounted controls for easy access
- Air adjustment switch (100 - 305 lbs)
- Durable document pouch stores owner's manual and other valuable

PN: 6718

**PN: 6718 Includes:** KM 1300 Uni Pro™ Seat & Suspension, Swivel, Pedestal, Install Hardware & Installation Instructions

**Mechanical lumbar** supports your lower back with multiple settings

**Adjustable padded armrests** fold up and out of the way allowing easy access to the seat and individual comfort

**Retractable seat belt** for added safety

**Adjustable backrest angle** adds comfort and versatility

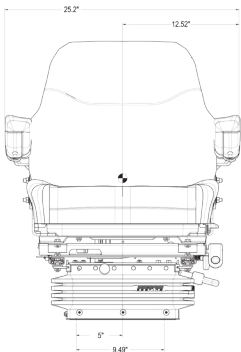
**Durable suspension cover** keeps components free of dirt and dust

**6" integrated slide rails**

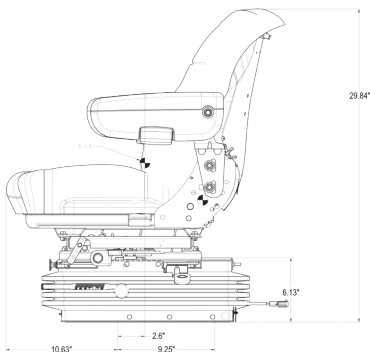
**Side-to-side isolator** provides lateral movement

**Fore/aft isolator** absorbs jarring for extra comfort

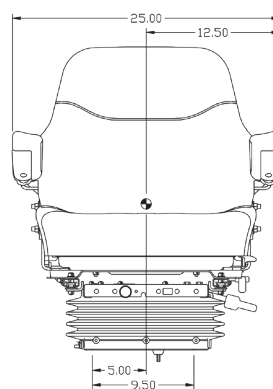
**FRONT VIEW**  
PN: 6715



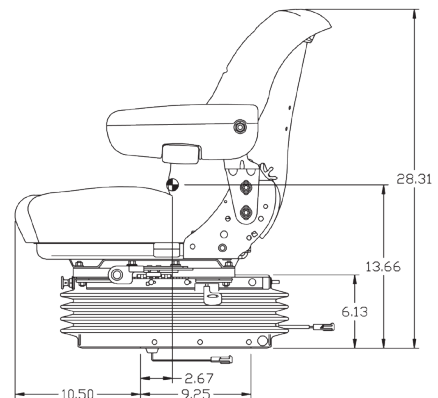
**SIDE VIEW**  
PN: 6715



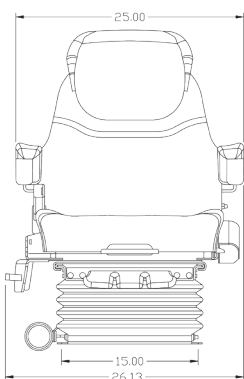
**FRONT VIEW**  
PN: 6716



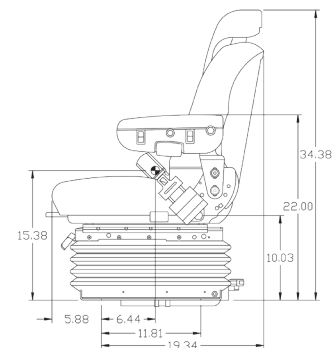
**SIDE VIEW**  
PN: 6716



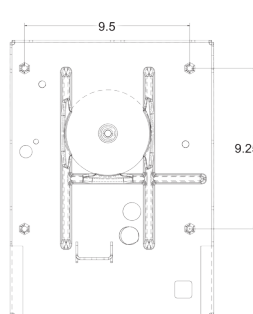
**FRONT VIEW**  
PN: 6718



**SIDE VIEW**  
PN: 6718



**BOTTOM VIEW**  
PN: 6775



**TOP VIEW**  
PN: 6775

