
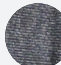
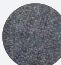
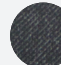


CIH Mag-MX-Steig-STX

Seat & Suspension Kits



CHOOSE FROM

- | | | | | | | |
|--|----|---|----|---|----|---|
|  | OR |  | OR |  | OR |  |
| KM 1061 Uni Pro™
Seat & Air Suspension
PN: 6908 or 6909
Gray Fabric or Red Vinyl | | 1000 Uni Pro™ Seat
& Air Suspension
PN: 6806
Charcoal Gray Fabric | | 1003 Uni Pro™ Seat
& Air Suspension
PN: 6807
Charcoal Gray Fabric | | 1300 Uni Pro™ Seat
& Air Suspension
PN: 6808
Charcoal Gray Fabric |



GRAMMER

NEW PLUG & PLAY SEAT KIT (PNs: 6908 & 6909)
Complete plug and play wiring for easy install.

See **PAGES 2-4** for applications, drawings and additional part information.

Adjustable fold-up armrests allow easy access to the seat and individual comfort

Tapered back support and adjustable backrest adds comfort and versatility

Adjustable mechanical lumbar supports your lower back with multiple settings and provides extra back support (lever on backrest)



PN: 6909

When seated, seat depth adjustment (right) and cushion angle adjustment (left) for individual fit

Air adjustment switch

Durable suspension cover keeps suspension components free of dirt and dust

PN: 6908

Cut and sew cushions for operator comfort

Adjustable slide rails with 4" of travel

Fore/aft isolator absorbs jarring for extra comfort (Isolator can also be disabled.)

- Replacement kits for original seat
- **Grammer MSG95/741 Seat**
- Made with durable cut and sew gray fabric
- Backrest extension for extra height adjustment
- Air suspension for smoother, more comfortable ride
- Self-contained 12-volt compressor is wired to the tractor's electrical system to provide power to the suspension
- Suspension stroke of 3.94"
- Shock absorber adjusts for different settings
- 8.25" fore/aft suspension travel
- 3" height adjustment
- Comes standard with operator presence switch

PN: 6908 Includes: KM 1061 Uni Pro™ Seat & Suspension, Swivel, Seat Adapter Plate, Install Hardware & Installation Instructions

PN: 6909 Includes: KM 1061 Uni Pro™ Seat & Suspension, Swivel, Seat Adapter Plate, Install Hardware & Installation Instructions

Swivel is Optional (PN: 5007 for PNs: 6908 & 6909)

TRACTORSSEATS.com

800-328-1752

308 NW 2nd Street • Renville, MN 56284



APPLICATIONS



Tractors

Fits - Case IH® Magnum, MX Series Magnum, Steiger and STX Steiger Series 4WD Tractors:

Magnum Series: Magnum 180, Magnum 190, Magnum 210, Magnum 215, Magnum 225, Magnum 235, Magnum 245, Magnum 255, Magnum 260, Magnum 275, Magnum 290, Magnum 305, Magnum 315, Magnum 335, Magnum 340;
MX Series Magnum: MX180, MX200, MX210, MX215, MX220, MX230, MX240, MX245, MX255, MX270, MX275, MX285, MX305; **Steiger Series:** 280, 330, 335, 380, 385, 430, 435, 480, 485, 530, 535; **STX Steiger Series 4WD:** STX275, STX280, STX325, STX330, STX375, STX380, STX425, STX430, STX435, STX440, STX450, STX480, STX500, STX530, STX535, STX550

See **PAGE 4**
for drawings.

SEARS
SEATING



PN: 6807



PN: 6806

Adjustable padded armrests fold up and out of the way allowing easy access to the seat and individual comfort

Adjustable backrest angle adds comfort and versatility

Fore/aft isolator absorbs jarring for extra comfort (Isolator can also be disabled.)

Side-to-side isolator provides lateral movement (Just PN: 6555)

Easily accessible push-pull air switch

Adjustable shock absorber (Just PN: 6555)

PN: 6806 Includes: KM 1000 Uni Pro™ Seat & Suspension, CIH Command Center Arm Bracket, Seat Adapter Plate, Wiring Harness, Install Hardware & Installation Instructions

PN: 6807 Includes: KM 1003 Uni Pro™ Seat & Suspension, CIH Command Center Arm Bracket, Seat Adapter Plate, Wiring Harness, Install Hardware & Installation Instructions

Swivel is Optional (PN: 5003 for PNs: 6806 & 6807)

- Replacement kits for seat & air suspension
- Made with durable charcoal gray Tufftex fabric
- Adjustable lumbar support
- Air suspension for smoother, more comfortable ride
- Self-contained 12-volt compressor is wired to tractor's electrical system to provide power to the suspension
- Slide rails provide 5" fore/aft adjustment
- Durable rubber molded suspension cover
- Comes standard with operator presence switch

K&M
Manufacturing

PN: 6808 Includes: KM 1300 Uni Pro™ Seat & Suspension, CIH Command Center Arm Bracket & Installation Instructions

- Replacement kit for seat & air suspension
- Vibration reduction system improves comfort, performance and productivity
- Semi-active suspension system provides improved vibration reduction
- Durable document pouch stores owner's manual and other valuables

SEARS
SEATING



Contoured cushions
for added comfort

Air adjustment switch
(100 - 305 lbs)

PN: 6808

Mechanical lumbar
supports your lower
back with multiple
settings

**Adjustable padded
armrests** fold up
and out of the way
allowing easy access
to the seat and
individual comfort

Retractable seat belt
for added safety

**Adjustable backrest
angle** adds comfort
and versatility

Durable suspension cover
keeps components free of dirt
and dust

Front mounted controls for easy access:

+/- 25° swivel

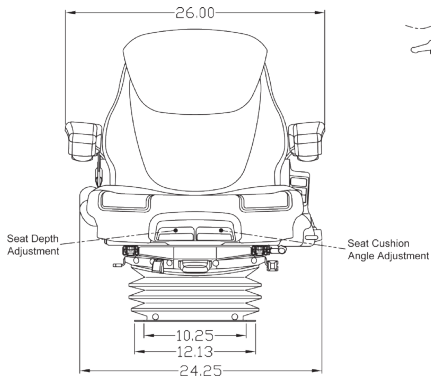
**6" integrated
slide rails**

Side-to-side isolator
provides lateral
movement

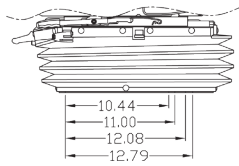
Fore/aft isolator
absorbs jarring for
extra comfort

See **PAGE 4**
for drawings.

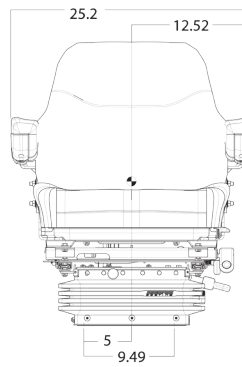
FRONT VIEW
PNs: 6908 & 6909



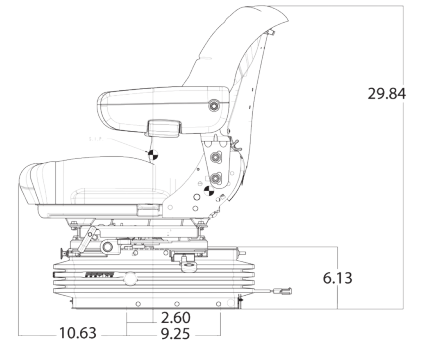
SIDE VIEW
PNs: 6908 & 6909



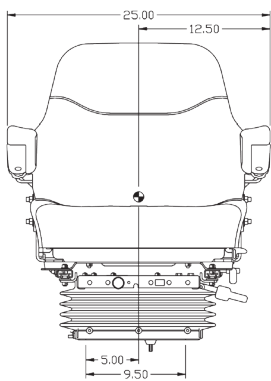
FRONT VIEW
PN: 6806



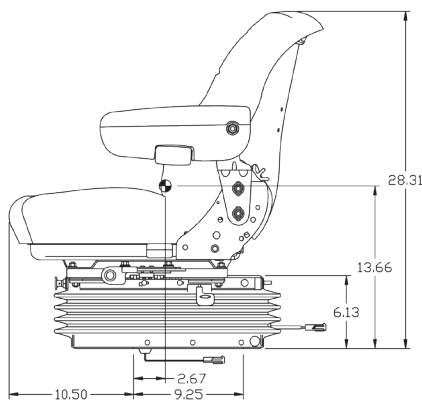
SIDE VIEW
PN: 6806



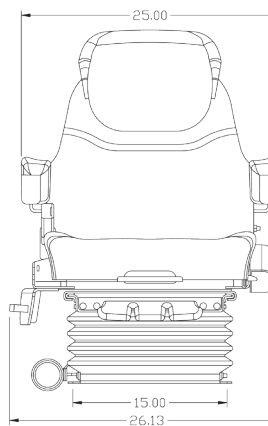
FRONT VIEW
PN: 6807



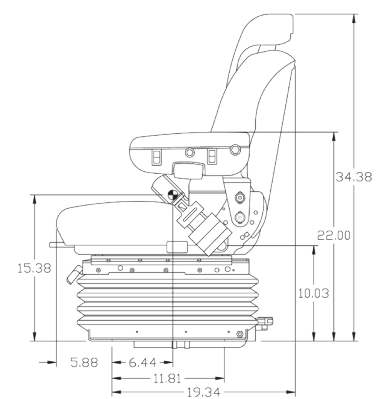
SIDE VIEW
PN: 6807



FRONT VIEW
PN: 6808



SIDE VIEW
PN: 6808



**Drawings shown with backrest extension, but backrest extension not available.*