







Allis Chalmers 8000

Series Seat & Suspension Kits



CHOOSE FROM

- 
KM 1060 Uni Pro™
 Seat & Air Suspension
PN: 6720
 Black/Gray Matrix Fabric
- OR
- 
KM 1057 Uni Pro™
 Seat & Air Suspension
PN: 6969
 Black/Gray Matrix Fabric
- OR
- 
1004 Uni Pro™ Seat & Mech Suspension
PN: 6511
 Black Fabric
- OR
- 
1005 Uni Pro™ Seat & Air/Mech Suspension
PN: 6405 or 6404
 Black (Air) or Black (Mech)
- OR
- 
KM MSG95 Air Suspension
PN: 6509/6507
- OR
- 
KM MSG85 Mech Suspension
PN: 6510/6508

See **PAGES 2-4** for applications, drawings and additional part information.



Adjustable mechanical lumbar supports your lower back with multiple settings and provides extra back support (lever on backrest)

Adjustable fold-up armrests allow easy access to the seat and individual comfort

Tapered back support and adjustable backrest adds comfort and versatility

When seated, seat depth adjustment (right) and cushion angle adjustment (left) for individual fit

Plush, spacious cushions for operator comfort

Air adjustment switch

Adjustable slide rails with 4" of travel

Durable suspension cover keeps suspension components free of dirt and dust

Fore/aft isolator absorbs jarring for extra comfort (Isolator can also be disabled.)

PN: 6720

- **Grammer MSG95/741 Seat**
- Air suspension for smoother, more comfortable ride
- Replaces original suspension seat
- Self-contained 12-volt compressor is wired to the tractor's electrical system to provide power to the suspension compressor
- Adjustable backrest extension for extra height on back
- Shock absorber adjusts for different settings
- 8.25" fore/aft suspension travel
- 3" height adjustment
- Operator presence switch

PN: 6720 Includes: KM 1060 Uni Pro™ Seat & Suspension, Install Hardware & Installation Instructions

Swivel is Optional (PN: 5007 for PN: 6720)



APPLICATIONS



Tractors

Fits - Allis Chalmers® 8000 Series Tractors: 8010, 8030, 8050, 8070

PN: 6969 Includes: KM 1057 Uni Pro™ Seat & Suspension, Install Hardware & Installation Instructions

Swivel is Optional (PN: 5007 for PN: 6969)

See **PAGE 4**
for drawings.

When seated, seat depth adjustment (right) and cushion angle adjustment (left) for individual fit



- Complete seat & suspension replacement kit
- **Assembly is required (seat & suspension do not come attached)**
- **Grammer MSG95/731 Seat**
- Air suspension for smoother, comfortable ride
- Self-contained 12-volt compressor is wired to the tractor's electrical system to provide power to the suspension compressor
- Adjustable backrest extension for extra height
- Fold-up adjustable armrests
- Shock absorber adjusts for different settings
- Suspension stroke up to 7"
- 3" height adjustment
- Durable suspension cover
- Easy access side controls
- 110 - 285 lb weight adjustment with indicator

PN: 6511 Includes: KM 1004 Uni Pro™ Seat & Mechanical Suspension, Swivel, Install Hardware & Installation Instructions

PN: 6405 Includes: KM 1005 Uni Pro™ Seat & Air Suspension, Swivel, Install Hardware & Installation Instructions

PN: 6404 Includes: KM 1005 Uni Pro™ Seat & Mechanical Suspension, Swivel, Install Hardware & Installation Instructions

- Mechanical suspension with 8.25" of travel
- 4" suspension travel
- 1.375" SIP and 2.75" stroke reducer
- 286 lb weight adjustment
- Manual height adjustment
- Slide rails

PN: 6511

Armrests fold up and out of the way allowing easy access to the seat and individual comfort

Mechanical adjustable lumbar supports your lower back with multiple settings

Seat belt fixation points

Foldable and adjustable backrest angle adds comfort and versatility

Durable rubber molded suspension cover keeps suspension free of dirt and dust

Cut and sew covering for a more rugged, comfortable ride

PN: 6404

Mechanical suspension

See PAGE 4 for drawings.

Contoured foam cushions to ensure operator comfort

PN: 6405

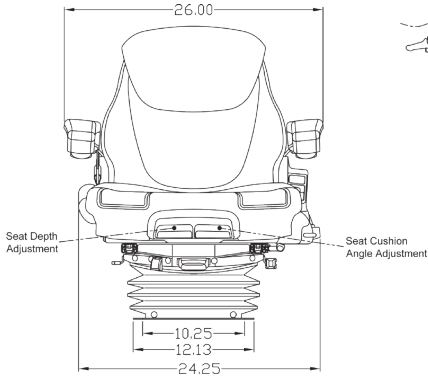
Adjustable fold-up armrests with lift 30° up or down

Durable document pouch to store owner's manual and other valuables

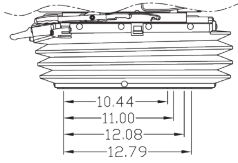
Air suspension

- **Assembly is required (seat & suspension do not come attached)**
- Choose between 12-Volt air, or mechanical suspension
- Adjustable backrest folds forward and reclines
- Adjustable backrest extension for extra height
- 3-position adjustable seat height within 2.36"
- 110 - 287 lb weight adjustment
- Slide rails provide fore/aft adjustment
- Durable rubber suspension cover

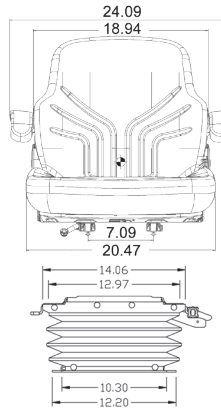
**FRONT VIEW
PN: 6720**



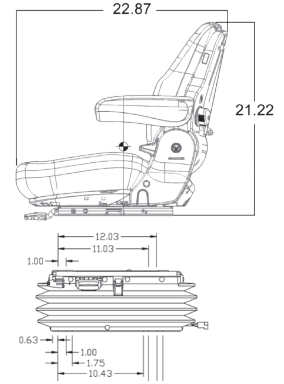
**SIDE VIEW
PN: 6720**



**FRONT VIEW
PN: 6969**

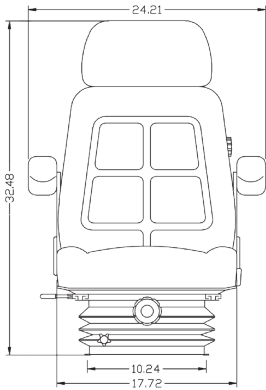


**SIDE VIEW
PN: 6969**

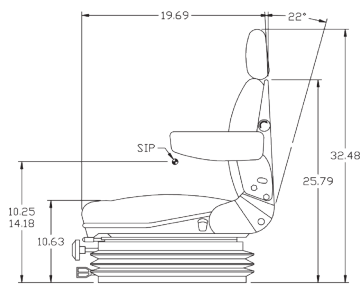


**Drawings show seat top without backrest extension and seat depth/tilt adjustment handles.*

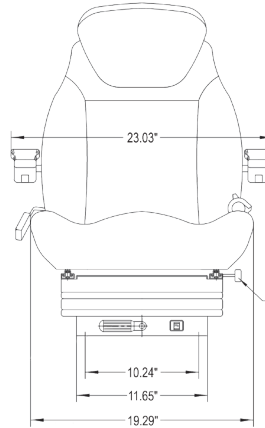
**FRONT VIEW
PN: 6511**



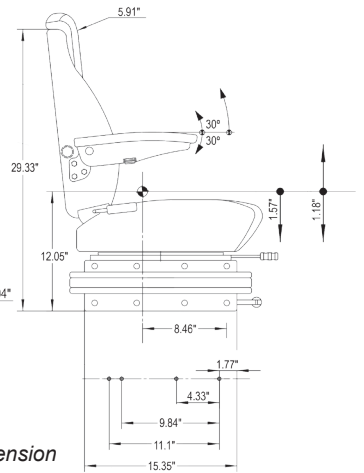
**SIDE VIEW
PN: 6511**



**FRONT VIEW
PNs: 6405 & 6404**



**SIDE VIEW
PNs: 6405 & 6404**



**Drawings show mechanical suspension only and do not show swivel.*

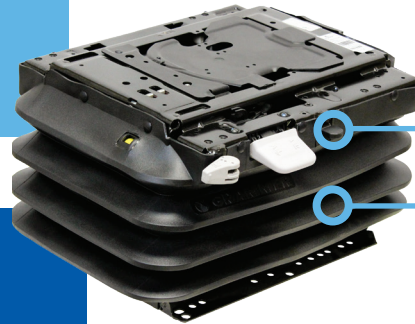
PNs: 6509 & 6507 Include: KM MSG95 Air Suspension, Seat Adapter Plates, Slide Rails, Install Hardware & Installation Instructions

PNs: 6510 & 6508 Include: KM MSG85 Mechanical Suspension, Seat Adapter Plates, Slide Rails, Install Hardware & Installation Instructions

Must Re-Use Original Luxury Seat with or without Swivel

- Suspension replacement kit
- Self-contained 12-Volt compressor
- Fore/aft isolator absorbs jarring for extra comfort
- 4" suspension travel with suspension stroke up to 7"
- Manual weight adjustment
- 110 - 285 lb weight adjustment with weight indicator

PNs: 6509 (Original Luxury Seat with Swivel) & 6507 (Original Luxury Seat without Swivel)



Side controls

Rubber molded suspension cover keeps suspension components free of dirt and dust

PN: 6510 (Original Luxury Seat with Swivel) & 6508 (Original Luxury Seat without Swivel)

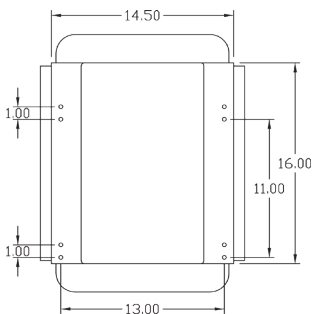


Rubber molded suspension cover keeps suspension components free of dirt and dust

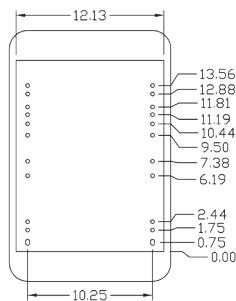
Flip handle weight adjustment

- Suspension replacement kit
- 4" suspension travel with suspension stroke up to 7"
- 110 - 285 lb weight adjustment with weight indicator
- Three-position height adjustment
- Height adjustment of 3"

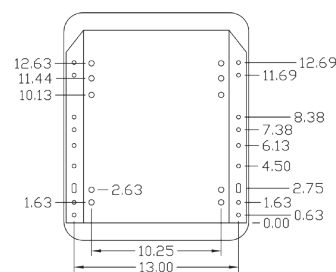
TOP VIEW
PNs: 6509 & 6507



BOTTOM VIEW
PNs: 6509 & 6507



TOP VIEW
PNs: 6510 & 6508



BOTTOM VIEW
PNs: 6510 & 6508

