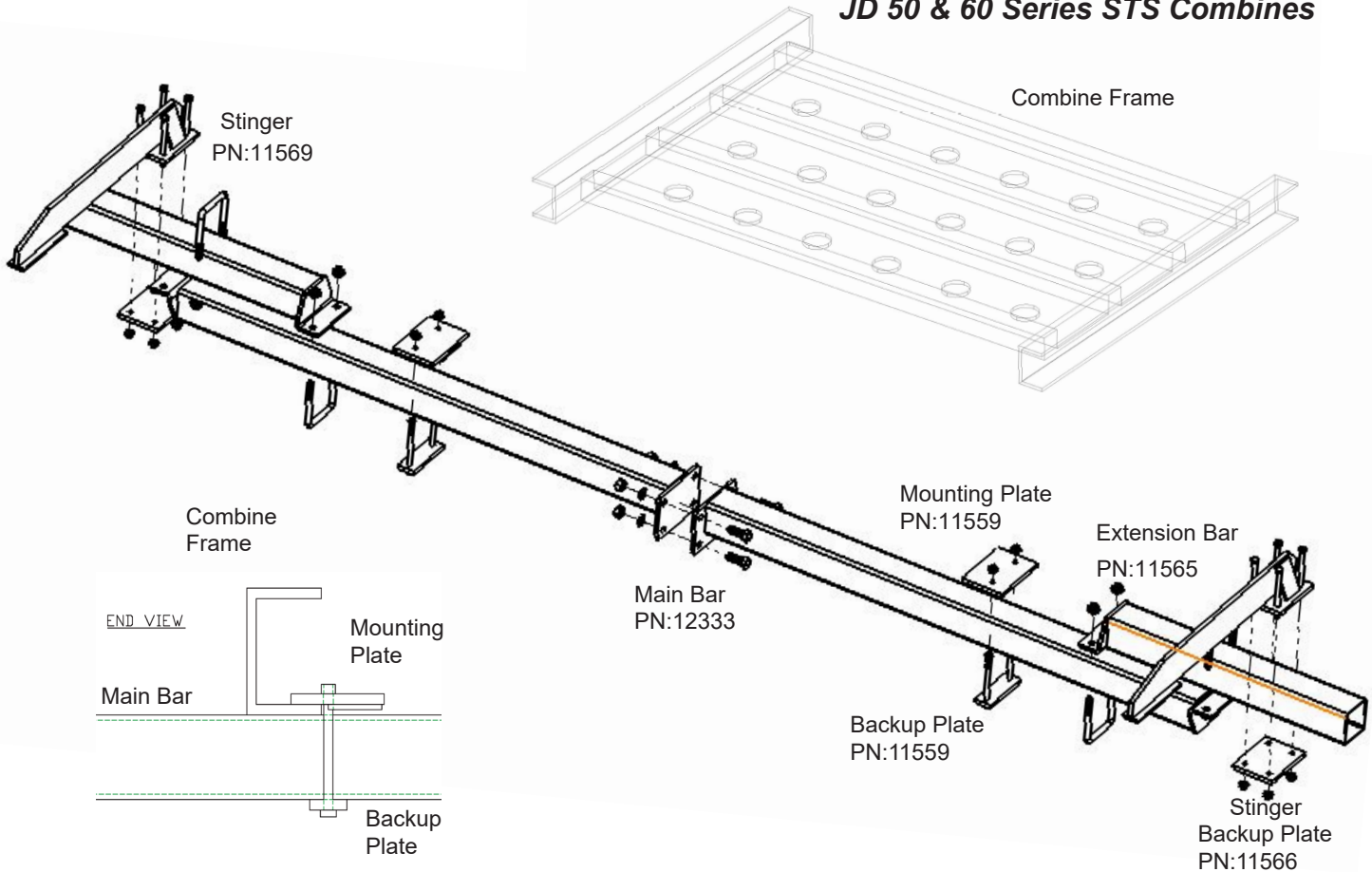


*Fits:*  
**JD 50 & 60 Series STS Combines**



1. Bolt the two sections of the Main Bar together with four 3/4-10 X 2 bolts lock washers and nuts.
2. Attach the main bar to the combine frame using the mounting plates, backup plates, 1/2" x 6" bolts and lock washers.
3. Attach the extension bars to the main bar at the desired position. Fasten with 5/8" x 4" U bolts and flange nuts.
4. Attach the stingers to the extension bars using the stinger back up plate, 1/2" x 6" bolts and flange nuts.