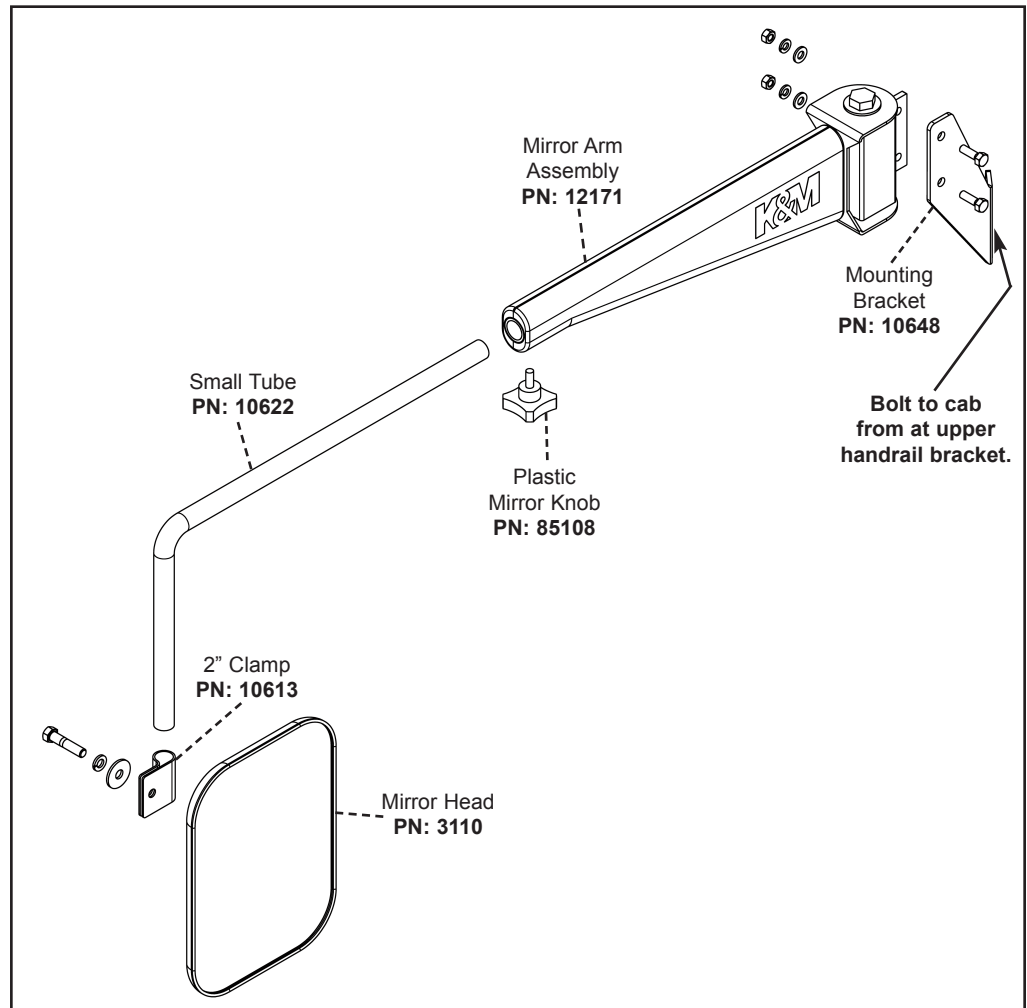


## Installation Guide

### John Deere 9000 4WD Series Mirror - Left Side (PN: 3166)

*Fits:*  
4WD 9000-9020 Series

1. Remove the two bolts from the upper handrail bracket.
2. Fasten the mirror **mounting bracket** to the cab frame using the two bolts from the upper handrail.
3. Fasten the **mirror arm assembly** to the **mounting bracket** with two 5/16" x 1" full thread bolts, flat washers, lock washers and nuts.
4. Insert the **small tube** into the **mirror arm assembly** and secure with the **plastic mirror knob**.
5. Fasten the **mirror head** to the **small pipe** with the **2" clamp** and included hardware.



### Note!

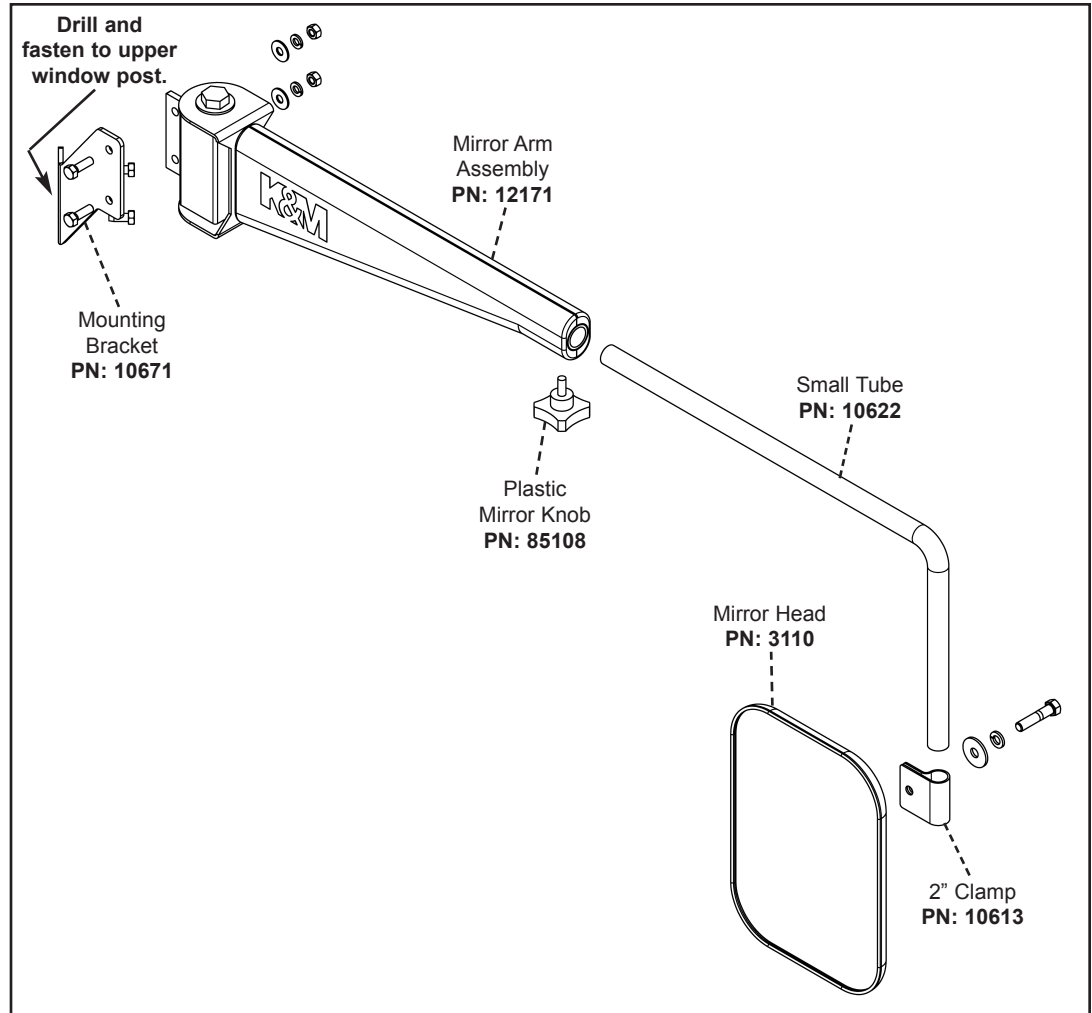
*Do not overtighten the plastic mirror knob in step 4.*

## Installation Guide

### John Deere 9000 4WD Series Mirror - Right Side (PN: 3167)

*Fits:*  
4WD 9000-9020 Series

1. Use the **mounting bracket** as a template and mark the two holes on the upper window post.
2. Drill two 17/64" holes and fasten the **mounting bracket** with two 5/16" x 3/4" self-threaded bolts.
3. Fasten the **mirror arm assembly** to the **mounting bracket** with two 5/16" x 1" full thread bolts, flat washers, lock washers and nuts.
4. Insert the **small tube** into the **mirror arm assembly** and secure with the **plastic mirror knob**.
5. Fasten the **mirror head** to the **small pipe** with the **2" clamp** and included hardware.



### Note!

*Do not overtighten the plastic mirror knob in step 4.*