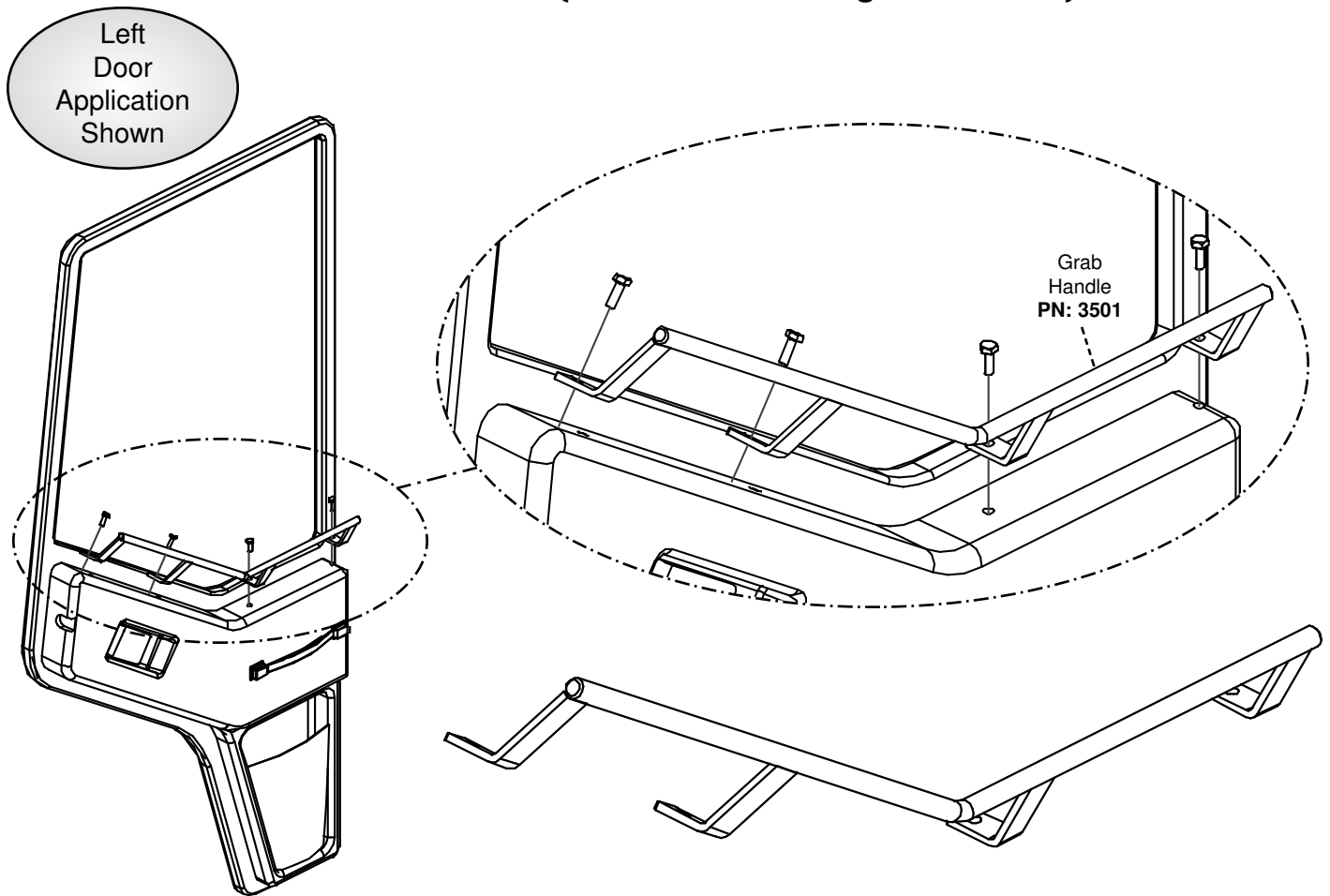


# Instruction Guide

## IH 86 & 88 Grab Handle Left-Right (Left PN: 3501 - Right PN: 3502)



1. Use the handle as a template to mark and drill four 1/4" holes in the door as shown above.
2. Fasten the handle to the door using four 1/4" x 3/4" bolts, lock washers and nuts.

**Note!**

*The grab handles are marked for right or left side door.*