

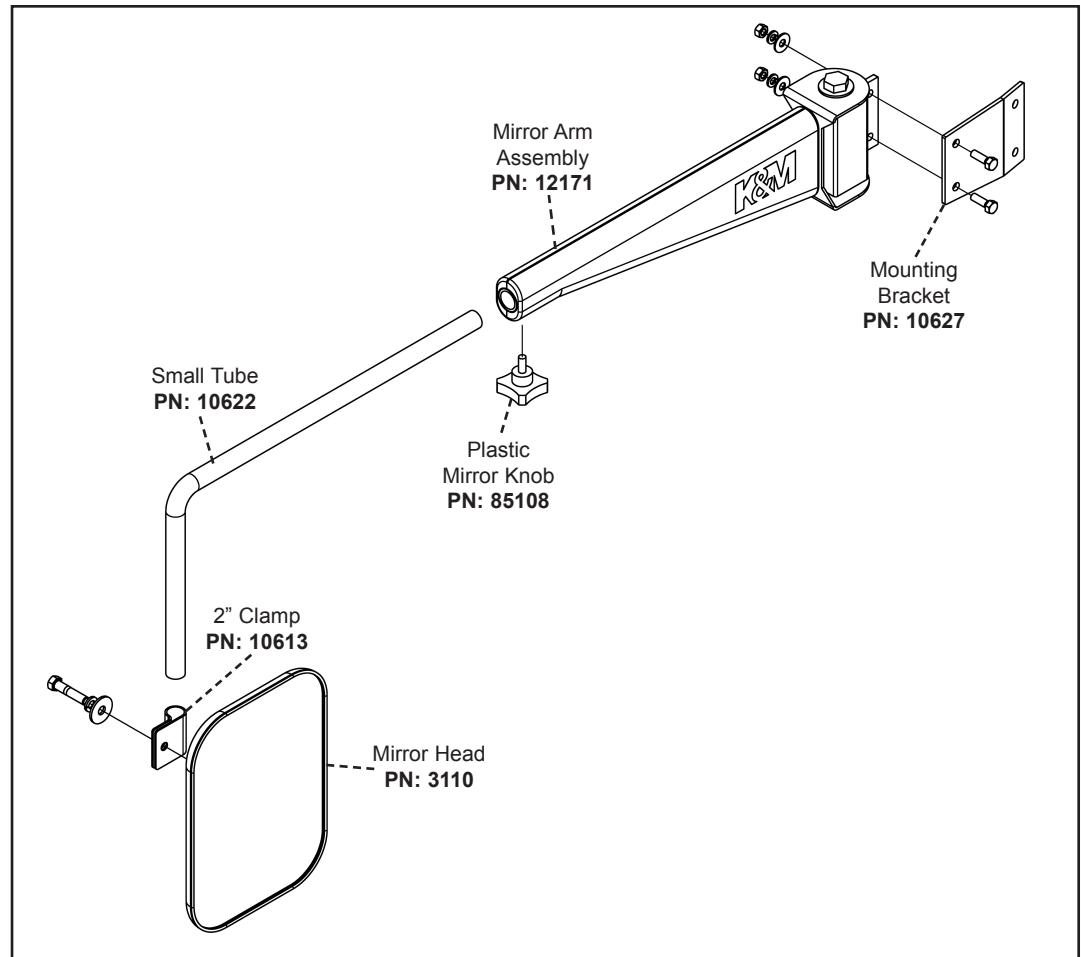
## Installation Guide

### John Deere 8000 Series Mirror (PN: 3139)

**Fits:**  
JD 8000 & 8010 Series

**NOTE:** Mirror can be used on either the right or left side.

1. Use the **mounting bracket** as a template and drill two 17/64" holes in the cab frame above the handrail.
2. Fasten the **mounting bracket** using two 5/16" x 3/4" self-threading screws.
3. Fasten the **mirror arm assembly** to the **mounting bracket** with two 5/16" x 1" full thread bolts, flat washers, lock washers and nuts.
4. Insert the **small tube** into the **mirror arm assembly** and secure with the **plastic mirror knob**.
5. Fasten the **mirror head** to the **small pipe** with the **2" clamp** and included hardware.



### Note!

*Do not overtighten the plastic mirror knob in step 4.*