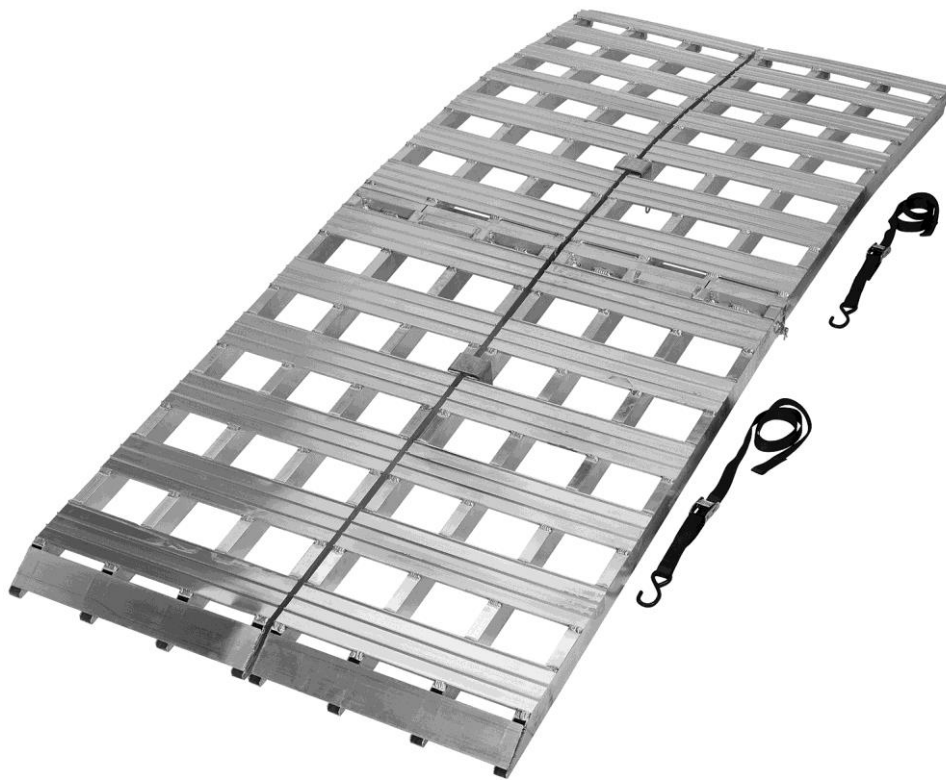


ULTRA-TOW™

Aluminum Bi-Fold Arched Ramps

3000-Lb. Capacity Per Pair

Owner's Manual



⚠ WARNING: Read carefully and understand all ASSEMBLY AND OPERATION INSTRUCTIONS before operating. Failure to follow the safety rules and other basic safety precautions may result in serious personal injury.

Item #53187

SAVE THESE INSTRUCTIONS

Thank you very much for choosing an Ultra-Tow™ product!

Serial Number/Lot Date Code: _____

Purchase Date: _____

Save the receipt, warranty, and this manual. It is important that you read the entire manual to become familiar with this product before you begin using it.

This Aluminum Bi-Fold Arched Ramp set is designed for certain applications only. Northern Tool & Equipment is not responsible for issues arising from modification or improper use of this product such as an application for which it was not designed. We strongly recommend that this product not be modified and/or used for any application other than that for which it was designed.

For technical questions, please call **1-800-222-5381**.

Table of Contents

Intended Use.....4

Technical Specifications4

Important Safety Information4

Specific Operation Warnings5

Main Parts of Ramp.....5

Assembly Instructions.....6

Maintenance6

Parts Diagram.....7

Parts List.....7

Replacement Parts7

Limited Warranty8

Intended Use

The Ultra-Tow Aluminum Bi-Fold Arched Ramp system has two 19-inch wide sections which lock together to form a 38-inch wide surface to safely load motorcycles. The heavy-duty folding ramp system can load motorcycles, ATVs, riding mowers, golf carts, and practically anything with pneumatic tires, thanks to its modular design, extra-long 10-ft. usable length, and huge 3000-lb. per pair load capacity. The ramp's loading surface has serrated crossbars for great traction with wet or muddy tires. Each ramp folds flat for easy storage. (Includes 2 ramp safety straps.) Sold as pairs.

Technical Specifications

Property	Specification
Rated Capacity	3,000 lbs. (per pair)
Material	Aluminum
Dimension	96 inch (L) x 38 inch (W)

Important Safety Information

⚠WARNING

- Read and understand all instructions. Failure to follow all instructions may result in serious injury or property damage.
- The warnings, cautions, and instructions in this manual cannot cover all possible conditions or situations that could occur. Exercise common sense and caution when using this ramp system. Always be aware of the environment and ensure that the ramp system is used in a safe and responsible manner.
- Do not allow persons to operate or assemble the ramp system until they have read this manual and have developed a thorough understanding of how it works.
- Do not modify this ramp system in any way. Unauthorized modification may impair the function and/or safety and could affect the life of the ramp system. There are specific applications for which the ramp system was designed.
- Use the right tool for the job. DO NOT attempt to force small equipment to do the work of larger industrial equipment. There are certain applications for which this equipment was designed. It will be a safer experience and do the job better at the capacity for which it was intended. DO NOT use this ramp system for a purpose for which it was not intended.
- Industrial or commercial applications must follow OSHA requirements.

⚠WARNING

WORK AREA SAFETY

- Inspect the work area before each use. Keep work area clean, dry, free of clutter, and well-lit. Cluttered, wet, or dark work areas can result in injury. Using the ramp system in confined work areas may put you dangerously close to cutting tools and rotating parts.
- Keep children and bystanders away from the work area while operating the ramp system. Do not allow children to handle the ramp system.

⚠️WARNING

PERSONAL SAFETY

- Stay alert, watch what you are doing, and use common sense when operating the ramp system. Do not use the ramp system while you are tired or under the influence of drugs, alcohol, or medication. A moment of inattention while operating the tool may result in serious personal injury.
- Dress properly. Do not wear loose clothing, dangling objects, or jewelry. Keep your hair, clothing and gloves away from moving parts. Loose clothes, jewelry, or long hair can be caught in moving parts. Air vents on the tool often cover moving parts and should be avoided.
- Wear the proper personal protective equipment when necessary. Use ANSI Z87.1 compliant safety goggles (not safety glasses) with side shields, or when needed, a face shield. Use a dust mask in dusty work conditions. Also use non-skid safety shoes, hardhat, gloves, dust collection systems, and hearing protection when appropriate. This applies to all persons in the work area.
- Do not overreach. Keep proper footing and balance at all times.

⚠️CAUTION

RAMP USE AND CARE

- Do not force the ramp system. Products are safer and do a better job when used in the manner for which they are designed. Plan your work, and use the correct product for the job.
- Check for damaged parts before each use. Carefully check that the ramp system will operate properly and perform its intended function. Replace damaged or worn parts immediately. Never operate the ramp system with a damaged part.
- Store the ramp system when it is not in use. Store it in a dry, secure place out of the reach of children. Inspect the ramp system for good working condition prior to storage and before re-use.
- Use only accessories that are recommended by the manufacturer for use with your ramp system. Accessories that may be suitable for one product may create a risk of injury when used with another tool. Never use an accessory that has a lower operating speed or operating pressure than the tool itself.

Specific Operation Warnings

⚠️WARNING

- Do not exceed the rated load capacity.
- Do not ride a vehicle up or down ramps.
- Use ramps on a stable level surface.
- Inspect ramps for defects or damage before each use.

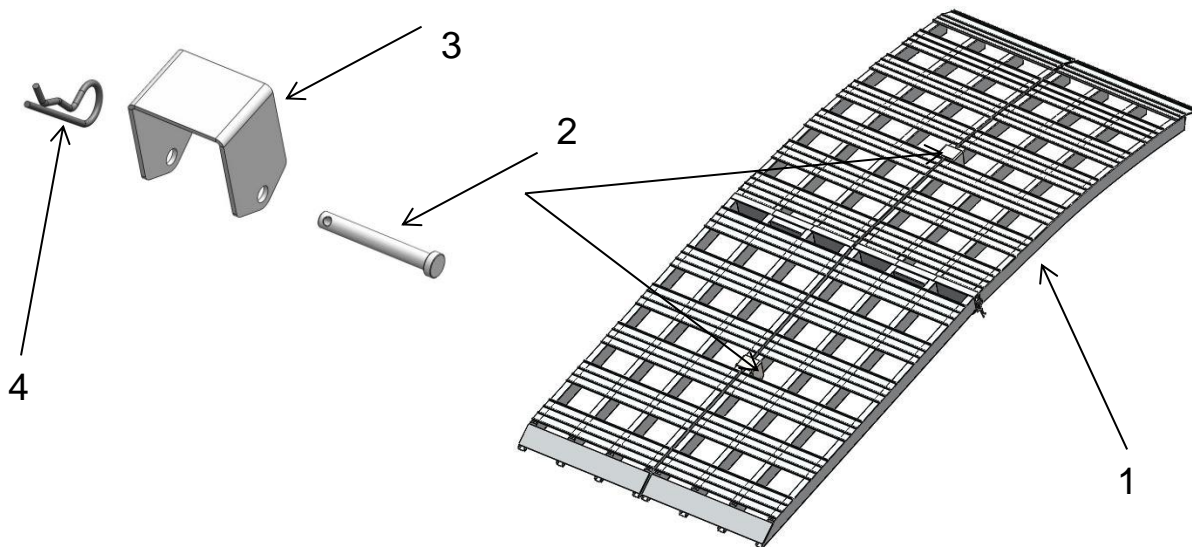
Main Parts of Ramp

Reference	Subassembly
-----------	-------------

Reference	Subassembly
1	Aluminum Ramp
2	10 Pin
3	U-Type Plate
4	3.8 Clip
5	Strap with S Hook

Assembly Instructions

1. Align the two pieces of the ramp and attach them by using the U-type plate (ramp with clip toward the outside). See the figure below.

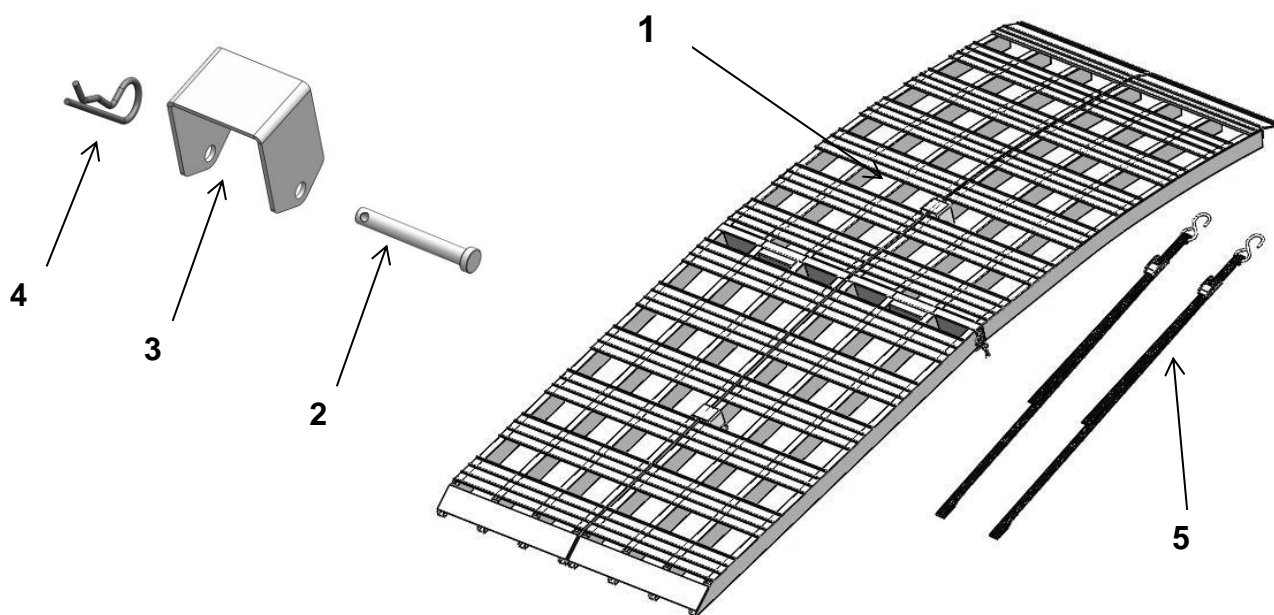


2. Be sure you are loading on a hard, level, and stable surface and that the vehicle you are loading into is parked with the emergency/parking brake in "park" and the engine is off. Unfold and place the lips of the ramps against the back of the vehicle. Secure the ramps to the vehicle using the safety straps.

Maintenance

- Maintain the ramps with care. Inspect them periodically, and if damaged, have them repaired by an authorized technician.
- For your safety, maintenance should be performed regularly by a qualified technician.
- Clean the ramps after each use. Make sure any dirt, oil, grease, or debris is not present on the ramps.

Parts Diagram



Parts List

Part No.	Item Description	Quantity
1	Aluminum Ramp	2
2	10 Pin	2
3	U-type Plate	2
4	3.8 Clip	2
5	Strap with S Hook	2

Replacement Parts

- For replacement parts and technical questions, please call Customer Service at **1-800-222-5381**.
- Not all product components are available for replacement. The illustrations provided are a convenient reference to the location and position of parts in the assembly sequence.
- When ordering parts, the following information will be required: item description, item model number, item serial number/item lot date code, and the replacement part number.
- The distributor reserves the rights to make design changes and or improvements to product lines and manuals without notice.

Limited Warranty

Northern Tool and Equipment Company, Inc. ("We" or "Us") warrants to the original purchaser only ("You" or "Your") that the Ultra-Tow product purchased will be free from material defects in both materials and workmanship, normal wear and tear excepted, for a period of **one year** from date of purchase. The foregoing warranty is valid only if the installation and use of the product is strictly in accordance with product instructions. There are no other warranties, express or implied, including the warranty of merchantability or fitness for a particular purpose. If the product does not comply with this limited warranty, Your sole and exclusive remedy is that We will, at our sole option and within a commercially reasonable time, either replace the product or product component without charge to You or refund the purchase price (less shipping). This limited warranty is not transferable.

Limitations on the Warranty

This limited warranty does not cover: (a) normal wear and tear; (b) damage through abuse, neglect, misuse, or as a result of any accident or in any other manner; (c) damage from misapplication, overloading, or improper installation; (d) improper maintenance and repair; and (e) product alteration in any manner by anyone other than Us, with the sole exception of alterations made pursuant to product instructions and in a workmanlike manner.

Obligations of Purchaser

You must retain Your product purchase receipt to verify date of purchase and that You are the original purchaser. To make a warranty claim, contact Us at 1-800-222-5381, identify the product by make and model number, and follow the claim instructions that will be provided. The product and the purchase receipt must be provided to Us in order to process Your warranty claim. Any returned product that is replaced or refunded by Us becomes our property. You will be responsible for return shipping costs or costs related to Your return visit to a retail store.

Remedy Limits

Product replacement or a refund of the purchase price is Your sole remedy under this limited warranty or any other warranty related to the product. We shall not be liable for: service or labor charges or damage to Your property incurred in removing or replacing the product; any damages, including, without limitation, damages to tangible personal property or personal injury, related to Your improper use, installation, or maintenance of the product or product component; or any indirect, incidental or consequential damages of any kind for any reason.

Assumption of Risk

You acknowledge and agree that any use of the product for any purpose other than the specified use(s) stated in the product instructions is at Your own risk.

Governing Law

This limited warranty gives You specific legal rights, and You also may have other rights which vary from state to state. Some states do not allow limitations or exclusions on implied warranties or incidental or consequential damages, so the above limitations may not apply to You. This limited warranty is governed by the laws of the State of Minnesota, without regard to rules pertaining to conflicts of law. The state courts located in Dakota County, Minnesota shall have exclusive jurisdiction for any disputes relating to this warranty.

ULTRA-TOWTM

Distributed by:

Northern Tool & Equipment Company, Inc.

Burnsville, Minnesota 55306

www.northerntool.com

Made in China