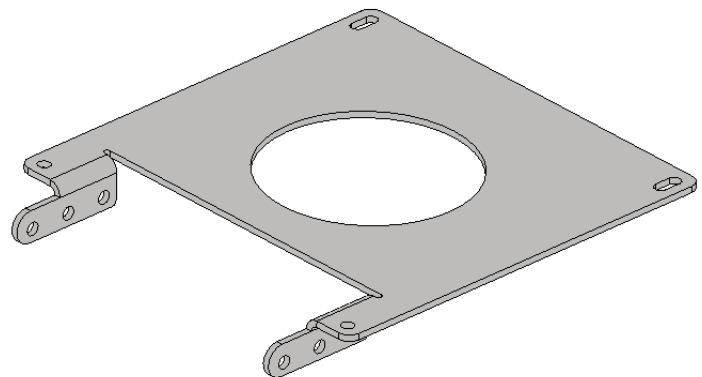


1. Remove the old seat by removing the pin and cotter pin at the front of the seat. **Save the pin and cotter pin.**
2. Attach the PED plate PN 11031 to the seat bottom with four 5/16-18 x 3/4 cap screws and lock washers.
3. Attach the seat to the tractor with the pin and cotter pin saved in step one. **Use the mounting hole that allows the seat to pivot forward and offers the most comfortable position for the operator.**



KM 129 PN 7103



PED PN 11031