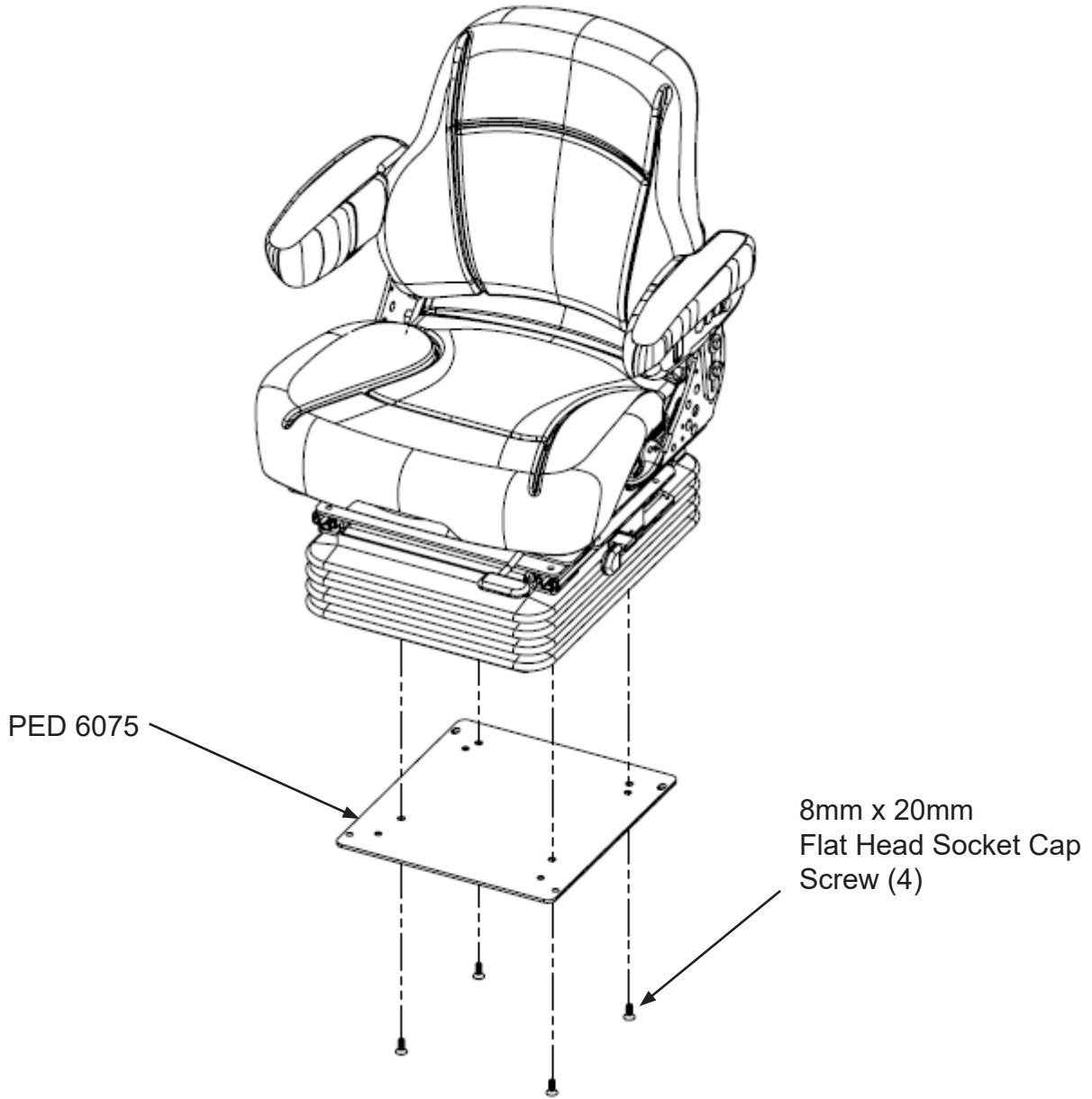


Installation Guide

JD 7000-7010 Series KM 1000 & 1003 Kits (PNs: 6715 & 6716)

1. Remove original seat and suspension from cab.
2. Mount the new seat and suspension to the PED 6075 using four 8mm x 20mm flat head socket cap screws.



Installation Guide

JD 7000-7010 Series KM 1000 & 1003 Kits (PNs: 6715 & 6716)

3. Place the new seat and PED assembly into the cab and fasten in place using four 8mm x 40mm flange bolts.
4. Connect the operator presence switch and suspension power to the tractor wiring harness using the included wiring adapter.

