



50 Ft. Retractable Cord Reel with Triple Tap

Owner's Manual



⚠ WARNING: Read carefully and understand all ASSEMBLY AND OPERATION INSTRUCTIONS before operating. Failure to follow the safety rules and other basic safety precautions may result in serious personal injury.

Item #57600

READ & SAVE THESE INSTRUCTIONS

Thank you very much for choosing a Strongway® product!

For future reference, please complete the owner's record below:

Serial Number/Lot Date Code: _____

Purchase Date: _____

Save the receipt, warranty, and this manual. It is important that you read the entire manual to become familiar with this product before you begin using it.

This cord reel is designed for certain applications only. Northern Tool and Equipment is not responsible for issues arising from modification or improper use of this product such as an application for which it was not designed. We strongly recommend that this product not be modified and/or used for any application other than that for which it was designed.

For technical questions, please call **1-800-222-5381**.

Table of Contents

Intended Use.....4

Technical Specifications4

Important Safety Information4

Specific Operation Warnings6

Grounding7

Assembly Instructions.....8

Operating Instructions.....8

Maintenance9

Troubleshooting.....9

Parts Diagram10

Parts List11

Replacement Parts12

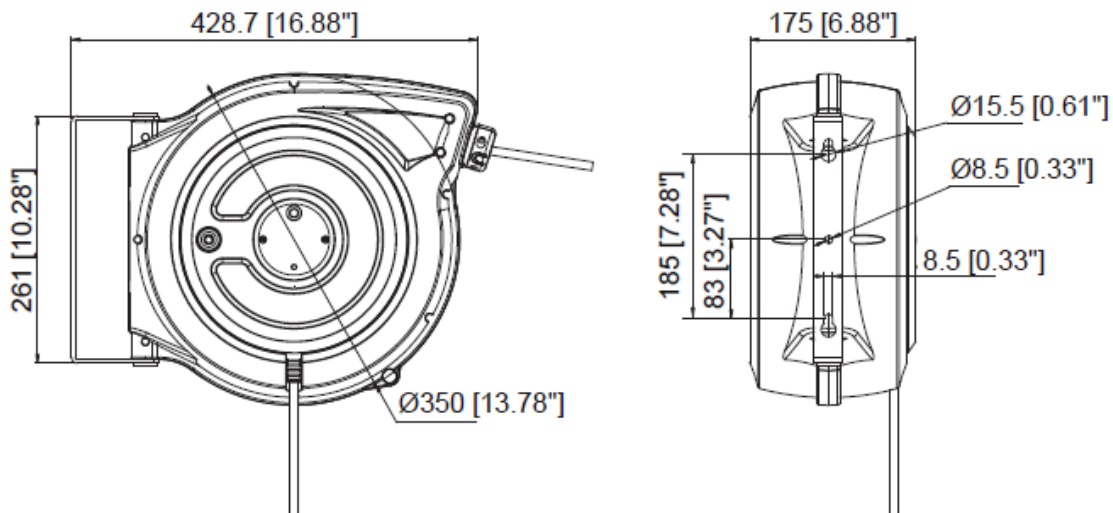
Limited Warranty13

Intended Use

The Strongway 50 Ft. Retractable Cord Reel with Triple Tap features a glow-in-the-dark stripe, grounded plug that lights, and an all-weather flexibility cord (-58° F to 221° F). The cord can be stopped at any point as you work. Its speed control device maintains the retraction of the cord, keeping the tension under control at all times.

Technical Specifications

Property	Specification
AWG	16
Number of Wires (Power Cord)	3
Socket	S3
Type	SJTOW
Length (feet)	50
Volt (V)	125
Ampere (A)	10



Important Safety Information

⚠WARNING

- Read and understand all instructions. Failure to follow all instructions may result in serious injury or property damage.
- The warnings, cautions, and instructions in this manual cannot cover all possible conditions or situations that could occur. Exercise common sense and caution when using this tool. Always be aware of the environment and ensure that the tool is used in a safe and responsible manner.
- Do not allow persons to operate or assemble the product until they have read this manual and have developed a thorough understanding of how it works.
- Do not modify this product in any way. Unauthorized modification may impair the function and/or safety and could affect the life of the product. There are specific applications for which the product

was designed.

- Use the right tool for the job. DO NOT attempt to force small equipment to do the work of larger industrial equipment. There are certain applications for which this equipment was designed. This product will be safer and do a better job at the capacity for which it was intended. DO NOT use this equipment for a purpose for which it was not intended.
- Industrial or commercial applications must follow OSHA requirements.

⚠WARNING

WORK AREA SAFETY

- Inspect the work area before each use. Keep work area clean, dry, free of clutter, and well-lit. Cluttered, wet, or dark work areas can result in injury. Using the product in confined work areas may put you dangerously close to cutting tools and rotating parts.
- Do not use the product where there is a risk of causing a fire or an explosion; e.g., in the presence of flammable liquids, gases, or dust. The product can create sparks, which may ignite the flammable liquids, gases, or dust.
- Do not allow the product to come into contact with an electrical source. The tool is not insulated and contact will cause electrical shock.
- Keep children and bystanders away from the work area while operating the tool. Do not allow children to handle the product.
- Be aware of all power lines, electrical circuits, water pipes, and other mechanical hazards in your work area. Some of these hazards may be hidden from your view and may cause personal injury and/or property damage if contacted.

⚠WARNING

PERSONAL SAFETY

- Stay alert, watch what you are doing, and use common sense when operating the tool. Do not use the tool while you are tired or under the influence of drugs, alcohol, or medication. A moment of inattention while operating the tool may result in serious personal injury.
- Dress properly. Do not wear loose clothing, dangling objects, or jewelry. Keep your hair, clothing and gloves away from moving parts. Loose clothes, jewelry, or long hair can be caught in moving parts. Air vents on the tool often cover moving parts and should be avoided.
- Wear the proper personal protective equipment when necessary. Use ANSI Z87.1 compliant safety goggles (not safety glasses) with side shields, or when needed, a face shield. Use a dust mask in dusty work conditions. Also use non-skid safety shoes, hardhat, gloves, dust collection systems, and hearing protection when appropriate. This applies to all persons in the work area.
- Do not overreach. Keep proper footing and balance at all times.

⚠CAUTION

CORD REEL USE AND CARE

- Do not force the cord reel. Products are safer and do a better job when used in the manner for which they are designed. Plan your work, and use the correct product for the job.
- Check for damaged parts before each use. Carefully check that the product will operate properly and perform its intended function. Replace damaged or worn parts immediately. Never operate the product with a damaged part.
- Do not use a product with a malfunctioning switch. Any power tool that cannot be controlled with the power switch is dangerous and must be repaired by an authorized service representative before using.
- Disconnect the power/air supply from the product and place the switch in the locked or off position before making any adjustments, changing accessories, or storing the tool. Such preventive safety measures reduce the risk of starting the tool accidentally.
- Store the product when it is not in use. Store it in a dry, secure place out of the reach of children. Inspect the tool for good working condition prior to storage and before re-use.
- Use only accessories that are recommended by the manufacturer for use with your product. Accessories that may be suitable for one product may create a risk of injury when used with another tool. Never use an accessory that has a lower operating speed or operating pressure than the tool itself.
- Keep guards in place and in working order. Never operate the product without the guards in place.
- Do not leave the tool running unattended.

Specific Operation Warnings

⚠WARNING

- To prevent serious injury or property damage, read and understand owner's manual before use.
- Electric shock hazard. Do not use the cord reel in damp or wet conditions.
- For indoor use only.
- Exposure of skin directly to pressurized air or fluids could result in severe bodily injury.
- Ensure that only qualified electricians install or service this cord reel.
- Ensure that power supply voltage does not exceed maximum voltage rating of reel.
- Ensure that the reel is properly installed before connecting to power supply.
- Ensure that all electric power is removed from the cord reel before servicing.
- Check for frayed and broken wires before each use.
- When pulling electrical cable from the cord reel, always grasp the electrical cable itself, not the work device.
- Remove the power from the reel immediately when any malfunction occurs.
- Never remove, tamper with, or cut the safety devices fitted by the manufacture.
- Not for use by or around children.

Grounding

⚠WARNING

- This machine must be grounded while in use to protect the operator from electrical shock. This unit is equipped with an electrical cord that has an equipment grounding conductor and a grounding plug. The plug **MUST** be plugged into a matching receptacle that is properly installed and grounded in accordance with ALL local codes and ordinances.
- **DO NOT MODIFY THE PROVIDED PLUG.** If it will not fit the receptacle, have the proper receptacle installed by a qualified electrician.
- **CHECK** with a qualified electrician or service person if you do not completely understand the grounding instructions, or if you are not sure the tool is properly grounded.

Grounded Tools: Tools with 3-Prong Plugs

Tools marked with **Grounding Required** have a 3-wire cord and 3-prong grounding plug. The plug must be connected to a properly grounded outlet. If the tool should electrically malfunction or break down, grounding provides a low resistance path to carry electricity away from the user, reducing the risk of electric shock. (See Figure A.)

The grounding prong in the plug is connected through the green wire inside the cord to the grounding system in the tool. The green wire in the cord must be the only wire connected to the tool's grounding system and must never be attached to an electrically live terminal.

Your tool must be plugged into an appropriate outlet, properly installed and grounded in accordance with all codes and ordinances. The plug and outlet should look like those in the following illustration.

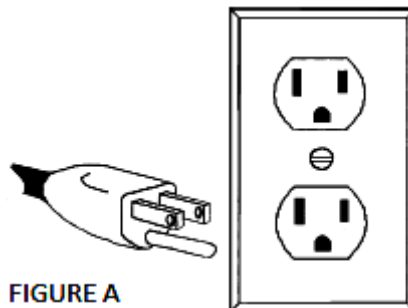


FIGURE A

Double Insulated Tools: Tools with Two-Prong Plugs

Tools marked **Double Insulated** do not require grounding. They have a special double insulation system which satisfies OSHA requirements and complies with the applicable standards of Underwriters Laboratories, Inc., the Canadian Standard Association, and the National Electrical Code. (See Figure B.)

Double insulated tools may be used in either of the 120 volt outlets shown in the following illustration.

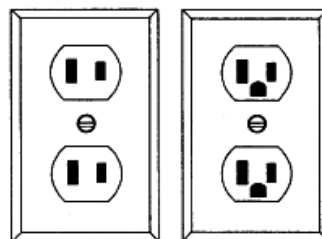
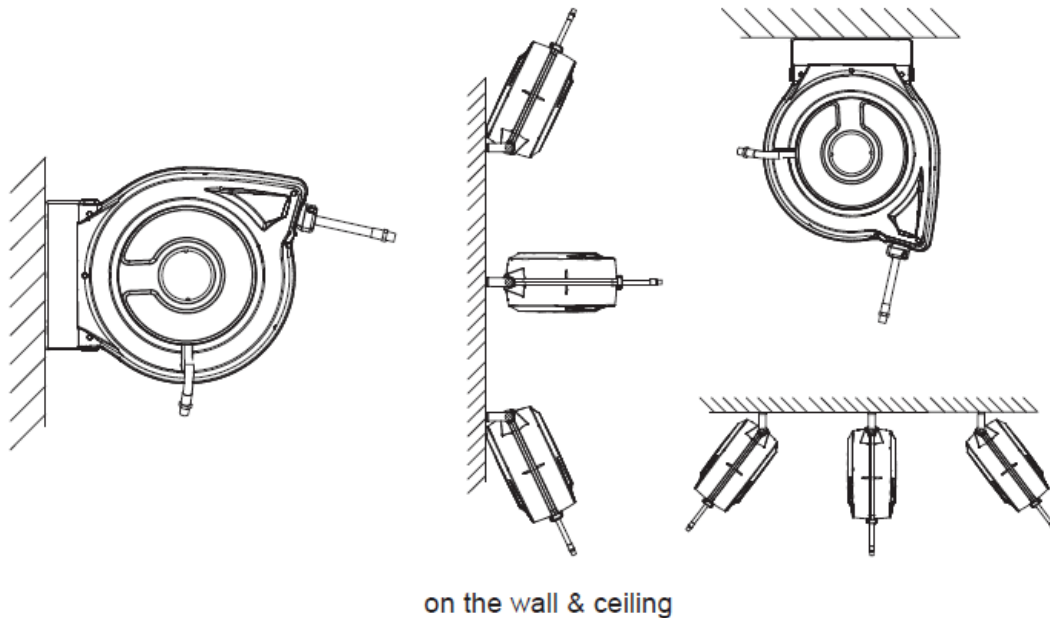


FIGURE B

Assembly Instructions

1. Unpack and inspect the cord reel for damage. Pull and relax the cord to check for a smooth operation. Check that the cord reel is able to completely retract.
2. The cord reel must be installed in locations conforming to current regulation and standards covering systems and work environments.
3. Secure the cord reel to the wall and the ceiling according to the installation diagram using screw anchors or screws. They must fit in the $\varnothing 8.5\text{mm}$ holes of the brackets.
4. Adjust the cable stopper to the correct position when required.



Operating Instructions

⚠WARNING

- Electric shock hazard. Do not use the cord reel in damp or wet conditions.
 - For indoor use only.
 - To avoid damage to the cord reel, always hold on to the cable while it is rewinding.
1. Check the cord reel for correct operation by slowly pulling out the cable.
 2. To latch the cord reel, slowly pull out the cable to any point and relax it to stop.
 3. To unlatch the cord reel, slowly pull the cable after it's relaxed and let the cable retract until it rests against the cable guide.
 4. When over loading, the thermal cut-out will cut off automatically stop. You should then push the red button until it resets.

Maintenance

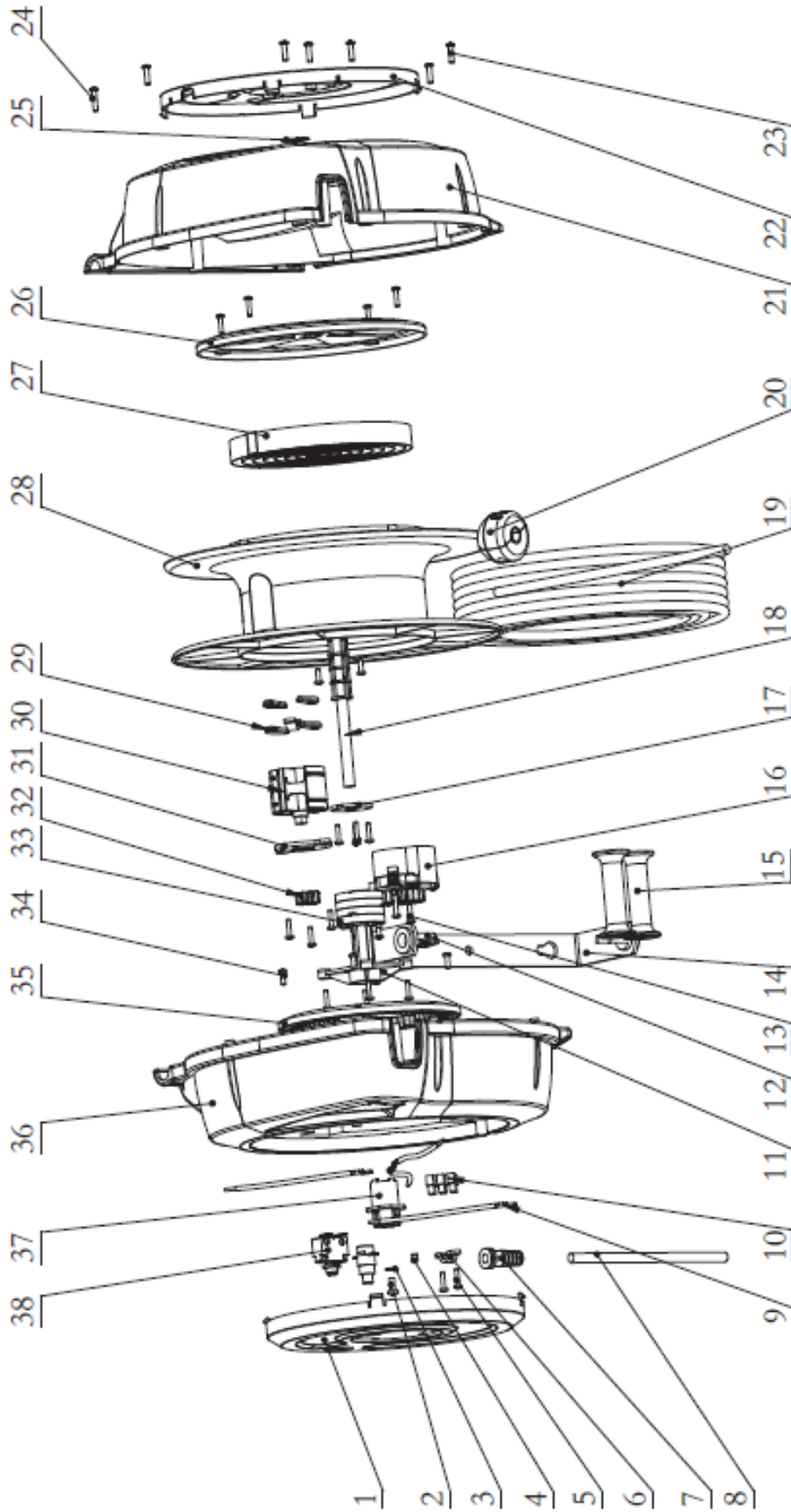
1. Make sure the cord reel is in proper working order.
2. Clean the cord reel with a cloth dipped in warm water to remove dirt or other deposits, and ensure proper rewinding.
3. Do not use detergents or solvents which could prove incompatible with cable-winding materials.
4. Dismantling the cord reel can result in damage to the unit due to the preloaded springs.

Troubleshooting

Use the table below to troubleshoot problems before contacting service personnel or your local dealer. If the problem continues after troubleshooting, call your local dealer for assistance.

Failure	Possible Cause	Corrective Action
The cord can't be reeled back in.	The cord is overloaded or in overheating protection mode.	Press the red button on the side cover.

Parts Diagram



Parts List

Part Number	Description	Quantity
1	Left side cover	1
2	Screws M5x12	1
3	Washer	1
4	Indicator light	1
5	Screws ST3.5x16	19
6	Cord clamp	2
7	Cord protective sleeve	1
8	Import cord	1
9	Wire way	4
10	Connector	1
11	Support plate	1
12	Fixed pin	2
13	Screws PT4.0x20	3
14	Base	1
15	Roller	2
16	Module for Stop-at-any-Point	1
17	Baffle	1
18	Supporting shaft	1
19	Cord	1
20	Stop block assembly	1
21	Right shell	1
22	Right side cover	1
23	Screws PT4.5x16	7
24	Screws ST4.2x22	2
25	Shaft ring	1
26	Spring cover	1
27	Spring	1
28	Drum	1
29	O-ring	4
30	Buffer	1
31	Cover	1
32	Gear	1
33	Slip ring	1
34	Screws PT4.0x12	6
35	Gear	1
36	Left shell	1
37	Support sleeve	1
38	Thermostat	1

Replacement Parts

- For replacement parts and technical questions, please call Customer Service at **1-800-222-5381**.
- Not all product components are available for replacement. The illustrations provided are a convenient reference to the location and position of parts in the assembly sequence.
- When ordering parts, the following information will be required: item description, item model number, item serial number/item lot date code, and the replacement part reference number.
- The distributor reserves the rights to make design changes and improvements to product lines and manuals without notice.

Limited Warranty

Northern Tool and Equipment Company, Inc. ("We" or "Us") warrants to the original purchaser only ("You" or "Your") that the Strongway product purchased will be free from material defects in both materials and workmanship, normal wear and tear excepted, for a period of one year from date of purchase. The foregoing warranty is valid only if the installation and use of the product is strictly in accordance with product instructions. There are no other warranties, express or implied, including the warranty of merchantability or fitness for a particular purpose. If the product does not comply with this limited warranty, Your sole and exclusive remedy is that We will, at our sole option and within a commercially reasonable time, either replace the product or product component without charge to You or refund the purchase price (less shipping). This limited warranty is not transferable.

Limitations on the Warranty

This limited warranty does not cover: (a) normal wear and tear; (b) damage through abuse, neglect, misuse, or as a result of any accident or in any other manner; (c) damage from misapplication, overloading, or improper installation; (d) improper maintenance and repair; and (e) product alteration in any manner by anyone other than Us, with the sole exception of alterations made pursuant to product instructions and in a workmanlike manner.

Obligations of Purchaser

You must retain Your product purchase receipt to verify date of purchase and that You are the original purchaser. To make a warranty claim, contact Us at 1-800-222-5381, identify the product by make and model number, and follow the claim instructions that will be provided. The product and the purchase receipt must be provided to Us in order to process Your warranty claim. Any returned product that is replaced or refunded by Us becomes our property. You will be responsible for return shipping costs or costs related to Your return visit to a retail store.

Remedy Limits

Product replacement or a refund of the purchase price is Your sole remedy under this limited warranty or any other warranty related to the product. We shall not be liable for: service or labor charges or damage to Your property incurred in removing or replacing the product; any damages, including, without limitation, damages to tangible personal property or personal injury, related to Your improper use, installation, or maintenance of the product or product component; or any indirect, incidental or consequential damages of any kind for any reason.

Assumption of Risk

You acknowledge and agree that any use of the product for any purpose other than the specified use(s) stated in the product instructions is at Your own risk.

Governing Law

This limited warranty gives You specific legal rights, and You also may have other rights which vary from state to state. Some states do not allow limitations or exclusions on implied warranties or incidental or consequential damages, so the above limitations may not apply to You. This limited warranty is governed by the laws of the State of Minnesota, without regard to rules pertaining to conflicts of law. The state courts located in Dakota County, Minnesota shall have exclusive jurisdiction for any disputes relating to this warranty.



Distributed by:

Northern Tool & Equipment Company, Inc.

Burnsville, Minnesota 55306

www.northerntool.com

Made in China