



Cord Reels With Triple Taps

Owner's Manual



49665



49666



49668

⚠ WARNING: Read carefully and understand all ASSEMBLY AND OPERATION INSTRUCTIONS before operating. Failure to follow the safety rules and other basic safety precautions may result in serious personal injury.

Items #49665, #49666, #49668

SAVE THESE INSTRUCTIONS

Thank you very much for choosing an Ironton® product!

For future reference, please complete the owner's record below:

Serial Number/Lot Date Code: _____

Purchase Date: _____

Save the receipt, warranty, and this manual. It is important that you read the entire manual to become familiar with this product before you begin using it.

These cord reels are designed for certain applications only. Northern Tool and Equipment cannot be responsible for issues arising from modification or use of these products in applications for which they were not designed. We strongly recommend that these products not be modified and/or used for any application other than that for which it was designed.

For technical questions, please call **1-800-222-5381**.

Table of Contents

Intended Use.....	4
Technical Specifications	4
Important Safety Considerations	5
Grounding	6
Assembly – 49665 & 49666.....	7
Assembly - 49668	8
Before Each Use.....	9
Operating Instructions.....	9
AfterEach Use.....	10
Maintenance	10
Parts Diagram - 49665.....	11
Parts Diagram - 49666.....	12
Parts Diagram - 49668.....	13
Troubleshooting.....	14
Replacement Parts	14
Limited Warranty.....	15

Intended Use

These cord reels include a triple tap with three 125V outlets for power tools, lighting, etc. The auto-retractable feature makes them easy to keep the cord organized and the wall or ceiling mounting and the swivel design offer greater usability reducing tool cord tangles during use.

Technical Specifications

49665, 33 ft. Cord Reel

Property	Specification
Length (ft.)	33
Cord Size	16/3
Lead-in Cord Length (ft.)	4-1/2
Voltage	125 VAC
Amps	10
Overload Protection	Yes
Outlets (qty.)	3
Mounting Type	Wall or Ceiling
Use	Indoors
Weight	14 lbs.

49666, 40 ft. Cord Reel

Property	Specification
Length (ft.)	40
Cord Size	12/3
Lead-in Cord Length (ft.)	4-1/2
Voltage	125 VAC
Amps	15
Overload Protection	Yes
Outlets (qty.)	3
Mounting Type	Wall or Ceiling
Use	Indoors
Weight	15 lbs.

49668, 30 ft. Cord Reel

Property	Specification
Length (ft.)	30
Cord Size	16/3
Lead-in Cord Length (ft.)	1
Voltage	125 VAC
Amps	9
Overload Protection	No
Outlets (qty.)	3
Mounting Type	Wall or Ceiling
Use	Indoor
Weight	9 lbs.

Important Safety Considerations

⚠ WARNING

- Read and understand all instructions. Failure to follow all instructions may result in serious injury.
- The warnings, cautions, and instructions in this manual cannot cover all possible conditions or situations that could occur. Exercise common sense and caution when using this tool. Always be aware of the environment and ensure that the tool is used in a safe and responsible manner.
- DO NOT allow persons to operate or assemble this product until they have read this manual and have developed a thorough understanding of how the product works.
- DO NOT modify the product in any way. Unauthorized modification may impair the function and/or safety and could affect the life of the product. There are specific applications for which the product was designed.
- Use the right tool for the job. DO NOT attempt to force a small equipment to do the work of larger industrial equipment. There are certain applications for which this equipment was designed. It will do the job better and more safely at the capacity for which it was intended. DO NOT use this equipment for a purpose for which it was not intended.
- Industrial or commercial applications must follow OSHA requirements.

⚠ WARNING

WORK AREA SAFETY

- Keep work area clean, dry, free of clutter, and well lit. Cluttered, wet, or dark work areas can result in injury. Using the tool in confined work areas may put you dangerously close to other cutting tools and rotating parts.
- Be aware of all power lines, electrical circuits, water pipes, and other mechanical hazards in your work area. Some of these hazards may be below the work surface hidden from your view and may cause personal harm or property damage if unintentionally contacted.

PERSONAL SAFETY

- Stay alert, watch what you are doing, and use common sense when operating the reel. Do not use the reel while you are tired or under the influence of drugs, alcohol, or medication. A moment of inattention while operating the tool may result in serious personal injury.
- Dress properly. Do not wear loose clothing, dangling objects, or jewelry. Keep your hair, clothing and gloves away from moving parts. Loose clothes, jewelry, or long hair can be caught.
- Use ANSI-approved safety goggles or safety glasses with side shields, or when needed, a face shield. Use a dust mask in dusty work conditions. Also use non-skid safety shoes, hardhat, gloves, dust collection systems, and hearing protection when appropriate.
- Do not overreach. Keep proper footing and balance at all times.
- Never remove, tamper with or cut out the safety devices fitted by the manufacturer.

Specific Operation Warnings

⚠ WARNING

- Exercise care when handling the cable reel during normal operation. Cord reels have a rotating drum powered by a spring under tension.
- Do not use cord different than what is supplied with this reel. Changes in diameter, weight per foot, length of cord or flexibility will affect the operation of the reel.
- Mounting hardware and fasteners should be installed to maintain tightness under vibration and checked periodically to ensure tightness. Mounting hardware and fasteners not included.
- Ensure that only the qualified electrician can install/services this cord reel. And it must not be used by children or unskilled persons.
- Ensure that power supply voltage does not exceed the maximum voltage rating of the reel.
- Ensure that the reel is properly installed before connecting to power supply.
- Ensure that all electrical power is disconnected from reel before servicing.
- Check for frayed or broken wires before each use.
- When pulling the electrical cord from the reel always grasp the electrical cord itself, not the work device.
- Disconnect power from the reel immediately if any malfunction occurs.
- Never remove, tamper with or cut out the safety devices fitted by the manufacture.
- Do not use the reel in damp or wet conditions. Avoid getting debris in the cord reel.

Grounding

⚠ WARNING

- This reel must be grounded to protect the operator from electrical shock. The reel is equipped with a lead-in cord that has a three-prong grounding plug. The plug **MUST** be plugged into a matching receptacle that is properly installed and grounded in accordance with ALL local codes and ordinances.
- **DO NOT MODIFY THE PLUG PROVIDED.** If it will not fit the receptacle, have the proper receptacle installed by a qualified electrician.
- **CHECK** with a qualified electrician or service person if you do not completely understand the grounding instructions, or if you are not sure the tool is properly grounded.

Grounded Tools: Tools with 3-Prong Plugs

Tools marked with **Grounding Required** have a 3-wire cord and 3-prong grounding plug. The plug must be connected to a properly grounded outlet. If the tool should electrically malfunction or break down, grounding provides a low resistance path to carry electricity away from the user, reducing the risk of electric shock.

The grounding prong in the plug is connected through the green wire inside the cord to the grounding system in the tool. The green wire in the cord must be the only wire connected to the tool's grounding system and must never be attached to an electrically live terminal.

Your tool must be plugged into an appropriate outlet, properly installed and grounded in accordance with all codes and ordinances.

Assembly – 49665 & 49666

1. Select an indoor wall or ceiling location within 4 feet of an electrical outlet.

⚠CAUTION

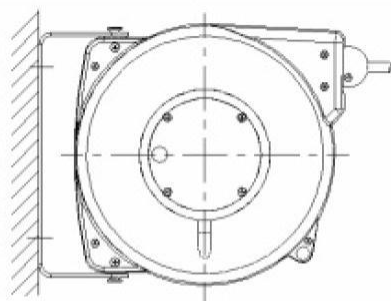
- Check that the power at the outlet conforms to the rating for the reel (see technical specifications for the reel).
- The outlet must be a three-pronged grounded outlet.

2. Locate a wall or ceiling beam (use a stud finder, if needed) and using the mounting bracket as a template, mark the holes so they are centered on the beam.

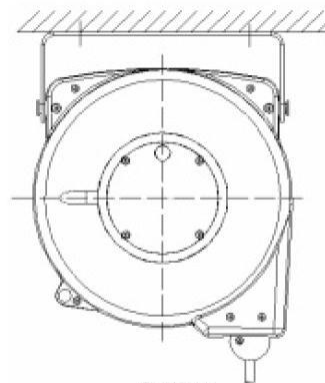
⚠CAUTION

Drywall alone will not hold the weight of the reel.

3. Attach the mounting bracket to the beam using cement screws or wood screws.
4. Adjust the cord stopper to the suitable position when required.
5. Plug the lead-in cord into the outlet.



Wall



Ceiling

Assembly - 49668

Ceiling Mount with the Flying Ring (Fig. 1)

1. Select an indoor ceiling location within 1 foot of an electrical outlet (We suggest the receptacle near your garage door opener if available).

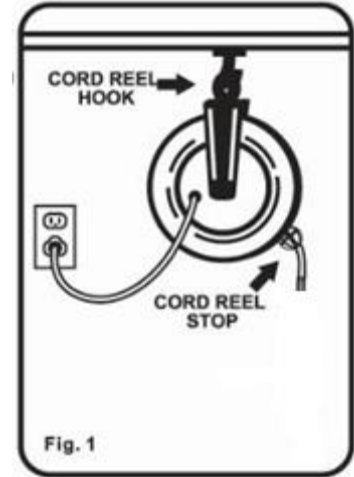
CAUTION: Check that the power at the outlet conforms to the rating for the reel (see technical specifications for the reel). The outlet must be a three-pronged grounded outlet.

2. Locate a ceiling beam (use a stud finder if needed) and install the Hanger Hook (8) in the beam.

CAUTION: Drywall alone will not hold the weight of the reel.

Note: the reel can be installed by the mounting bracket is the same way as a wall mount. See the steps in the wall mount section below.

3. Hang the reel on the hook using the flying ring.
4. Use a pair of pliers to close the hook so the reel is secure and won't slide off.
5. Adjust the cord stop so the triple tap hangs at a desired length when the cord is fully retracted.
6. Plug the lead-in cord into the outlet.



Wall Mount with the Mounting Bracket (Fig. 2)

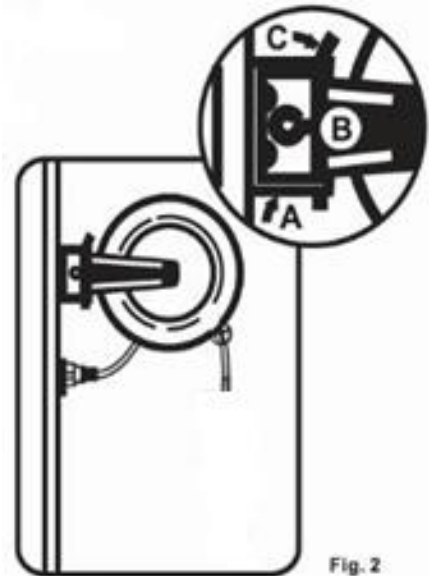
1. Select an indoor wall location within 1 foot of an electrical outlet.

CAUTION: Check that the power at the outlet conforms to the rating for the reel (see technical specifications for the reel). The outlet must be a three-pronged grounded outlet.

2. Locate a wall beam (use a stud finder if needed).

CAUTION: Drywall alone will not hold the weight of the reel.

3. Attach the U-shaped bracket (A) to the beam with the screws provided.
4. Place the hanger bracket (2, B) on the reel casing inside U-shaped bracket, lining up the small holes in the two brackets.
5. Insert the locking pin (C) through the aligned holes.
6. Adjust the cord stop so the triple tap hangs at a desired length when the cord is fully retracted.
7. Plug the lead-in cord into the outlet.



Before Each Use

- Check for damaged reel parts and for frayed, worn, or a lacerated power cord before each use. Carefully check that the reel will operate properly and perform its intended function. Replace damaged or worn parts immediately. Never operate the reel with a damaged part.
- As with any electrical device, dry your hands before using the reel.

Operating Instructions

⚠ WARNING

- Do not use the reel where there is a risk of causing a fire or an explosion; e.g., in the presence of flammable liquids, gases, or dust. The tool can create sparks, which may ignite the dust or fumes.
 - Do not exceed the reel's rated amps with one, two, or three tools plugged into the reel's triple tap. (See the technical specs for each reel's rating.) Exceeding the rated capacity could result in loss of power and overheating
 - Always pull on cord/cable itself. Never pull on the attachment.
 - Keep away from heating vents, radiators, or other sources of heat.
 - Exercise care when handling the cable reel during normal operation. Cable reels have a rotating drum powered by a spring under tension. Do not allow the cord to retract without restraining the recoil speed. Never let go of the cord when rewinding.
 - Keep children and bystanders away from the work area while operating the tool. Do not allow children to handle the tool.
- Check the reel for correct operation by slowly pulling out the cord. A "clicking" noise will be heard every half revolution of the drum.
 - To latch the reel, pull out the cord then allow it to retract after hearing the first, second, or third "click".
 - To unlatch the reel, slowly pull out the cord until the "clicking" noise stops then, holding on to the cord, let it retract in a controlled way until the cord stop rests against the cord guide rollers.

⚠ WARNING

- Do not allow cable to retract without restraining recoil speed. Never let go of the cable when rewinding.
- Keep the cord and taps dry, clean, and free from oil and grease.
 - The cord reel is not waterproof and is not intended for use in, or around, wet or damp areas. **NEVER** attempt to pick up plugged-in power tools or appliance should they fall into standing water. Electrocutation could result.
 - Periodically clean the cord. **WARNING:** Unplug the power source before cleaning the cord to avoid electrical shock. Use a cloth dipped in warm water to remove dirt or deposits and ensure correct winding on the reel. Do not use detergents or solvents which could prove incompatible with cable-winder materials. Allow the cord and connections to THOROUGHLY dry before plugging the cord back into a power outlet.
 - Also periodically check the cord condition for wear or damage. See the maintenance section for the cord replacement procedure.

Note: If the current through the 49665 or 49666 cord reels exceed their rating, a circuit breaker in the wiring will open automatically stopping power at the taps. After a short period, manually press the reset button on the side of the case to close the circuit breaker.

After Each Use

- Inspect the reel casing, mounting parts, and cord periodically after use so that worn or damaged parts can be ordered and replaced before the next use.

⚠ WARNING

- Have damaged or worn parts repaired or replaced by an authorized service technician.
- **DO NOT** Open the casing for any reason! The spring inside can be under high tension and accidental release can cause severe personal injury.

Maintenance

⚠ WARNING

- Only properly trained persons should open a reel case. Dismantling of the unit by unskilled personnel could prove hazardous; the risk involved mainly concern the preloaded spring.
- Disconnect the power supply from the reel before making any adjustments or changing parts.

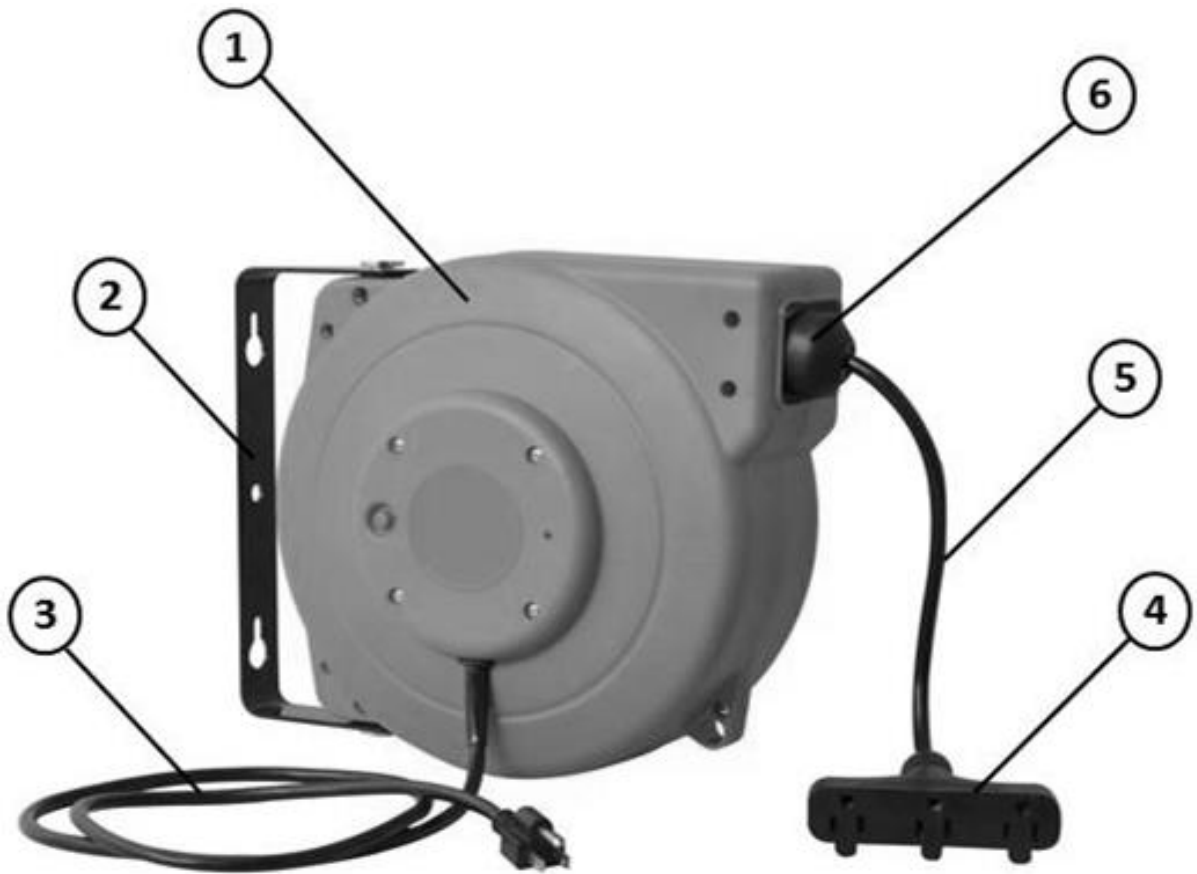
⚠ WARNING

If the rewind function fails, for safety reasons, it is strongly recommended the replacement of the spring only be performed by an authorized service technician. The internal spring can be under high tension and accidental release can cause severe personal injury.

Maintain the reel. It is recommended that the general condition of any tool be examined before it is used. Keep the reel in good repair by adopting a program of conscientious repair and maintenance in accordance with the recommended procedures found in this manual.

- Use only identical parts with the reel. Do not use a cord different than what is supplied with this reel. Changes in diameter, weight per foot, length of cord or flexibility will affect the operation of the reel.
- Do not use detergents or solvents which could prove incompatible with cord-winder materials. If the event of having to perform maintenance on the electrical, mechanical parts or replace the cord, contact an authorized after-sale service center.
- After maintenance, allow the cord and connections to dry THOROUGHLY before plugging the cord back into a power outlet.

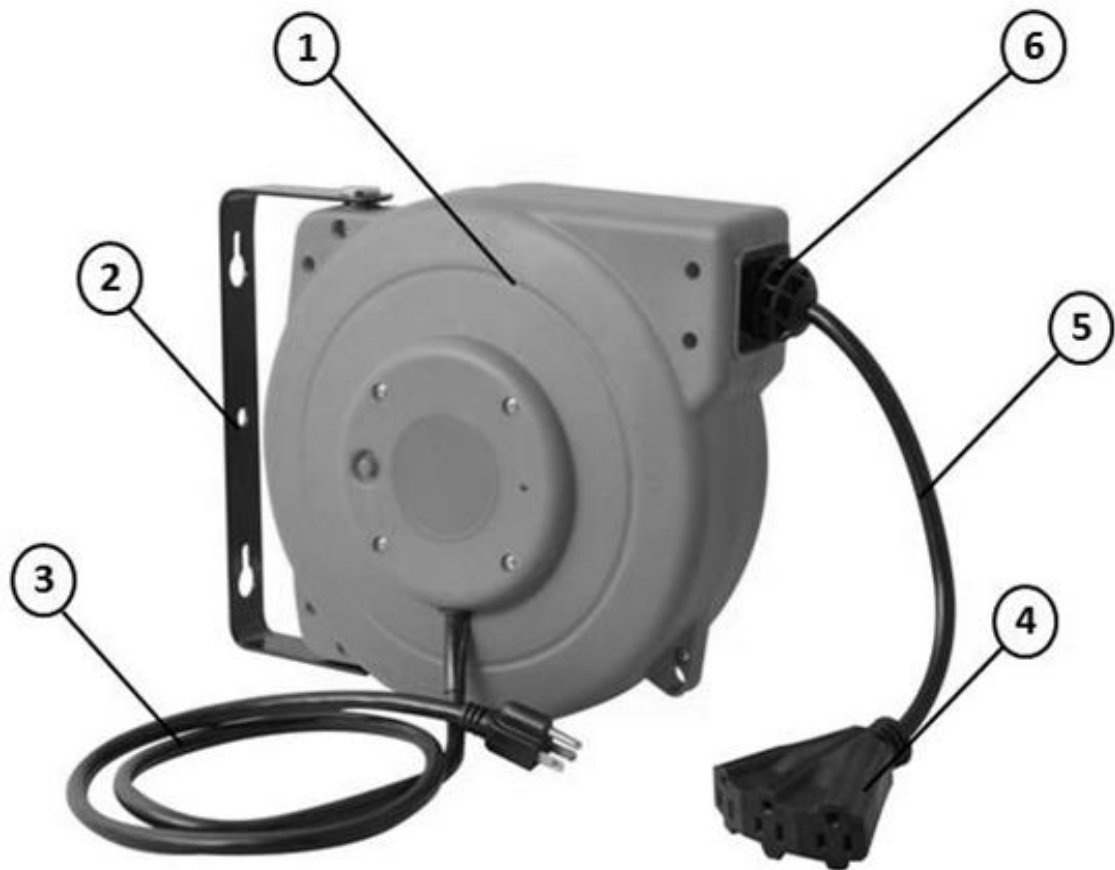
Parts Diagram - 49665



Parts List

Part No.	Description	Quantity
1	Cord Reel Body	1
2	Mounting Bracket	1
3	Lead-in Cord With Plug	1
4	Socket	1
5	Cord	1
6	Stopper	1
7	Cement screws (not shown)	2
8	Wood screws (not shown)	2

Parts Diagram - 49666



Parts List

Part No.	Description	Quantity
1	Cord Reel Body	1
2	Mounting Bracket	1
3	Lead-in Cord With Plug	1
4	Socket	1
5	Cord	1
6	Stopper	1
7	Cement screws (not shown)	2
8	Wood screws (not shown)	2

Parts Diagram - 49668



Parts List

Part No.	Description	Quantity
1	Cord Reel Body	1
2, B	Mounting Bracket	1
3	Flying Ring	1
4	Socket	1
5	Stopper	1
6	Cord	1
7	Lead-in Cord With Plug	1
8	Hanger Hook (not shown)	1
A	U-shaped Bracket (not shown)	1
C	Locking Pin (not shown)	1
9	Wood screws (not shown)	2

Troubleshooting

Problem(s)	Solution(s)
Cable will not fully retract.	Call an authorized technician for service to add tension to the reel's internal spring.
Cable will not retract at all.	Call an authorized technician for service.
No electrical power at output end of cable.	Check all connections ensuring they are properly wired. (49665 or 49666) Press the reset button on the side of the reel case.

Replacement Parts

- For replacement parts and technical questions, please call Customer Service at **1-800-222-5381**.
- Not all product components are available for replacement. The illustrations provided are a convenient reference to the location and position of parts in the assembly sequence.
- When ordering parts, the following will be required: model number, serial number/lot date code, and description.
- The distributor reserves the rights to make design changes and or improvements to product lines and manuals without notice.

Limited Warranty

Northern Tool and Equipment Company warrants this 33ft. Retractable Cord Reel, components and parts, unless otherwise specified, under normal use and service for a period of **one year**. Northern Tool and Equipment Company reserves the right to substitute an equivalent model Wheeled Sprinkler Cart (or parts) in the event this specific model (or part) is no longer available.

Limitations on the Warranty

This limited warranty does not cover: (a) normal wear and tear; (b) damage through abuse, neglect, misuse, or as a result of any accident or in any other manner; (c) damage from misapplication, overloading, or improper installation; (d) improper maintenance and repair; and (e) product alteration in any manner by anyone other than us, with the sole exception of alterations made pursuant to product instructions and in a workmanlike manner.

Obligations of Purchaser

You must retain your product purchase receipt to verify date of purchase and that you are the original purchaser. To make a warranty claim, contact us at 1-800-222-5381, identify the product by make and model number, and follow the claim instructions that will be provided. The product and the purchase receipt must be provided to us in order to process your warranty claim. Any returned product that is replaced or refunded by us becomes our property. You will be responsible for return shipping costs or costs related to your return visit to a retail store.

Remedy Limits

Product replacement or a refund of the purchase price is your sole remedy under this limited warranty or any other warranty related to the product. We shall not be liable for: service or labor charges or damage to your property incurred in removing or replacing the product; any damages, including, without limitation, damages to tangible personal property or personal injury, related to your improper use, installation, or maintenance of the product; or any indirect, incidental or consequential damages of any kind for any reason.

Governing Law

This limited warranty gives you specific legal rights, and you also may have other rights which vary from state to state. Some states do not allow limitations or exclusions on implied warranties or incidental or consequential damages, so the above limitations may not apply to you. This limited warranty is governed by the laws of the State of Minnesota, without regard to rules pertaining to conflicts of law. The state courts located in Dakota County, Minnesota shall have exclusive jurisdiction for any disputes relating to this warranty.



Distributed by
Northern Tool & Equipment Company, Inc.
Burnsville, Minnesota 55306
www.northerntool.com

Made in China