



Retractable Cord Reels With Triple Taps

Owner's Manual



⚠ WARNING: Read carefully and understand all ASSEMBLY AND OPERATION INSTRUCTIONS before operating. Failure to follow the safety rules and other basic safety precautions may result in serious personal injury.

Item #s49581, 49582, 49583

SAVE THESE INSTRUCTIONS

Thank you very much for choosing a Strongway product!

For future reference, please complete the owner's record below:

Serial Number/LotDate Code: _____

Purchase Date: _____

Save the receipt, warranty, and this manual. It is important that you read the entire manual to become familiar with this product before you begin using it.

These retractable cord reels are designed for certain applications only. Northern Tool and Equipment cannot be responsible for issues arising from modification or use of these products in an application for which they were not designed. We strongly recommend that these products not be modified and/or used for any application other than that for which they were designed.

For technical questions, please call **1-800-222-5381**.

Table of Contents

Intended Use	4
Technical Specifications	4
Important Safety Information	5
Specific Operation Warnings	6
Grounding	7
Assembly – 49581	8
Assembly – 49582 & 49583	10
Before Each Use	12
Operating Instructions	13
Spring Tension Adjustment	14
After Each Use	14
Maintenance	15
Parts Diagram – 49581	16
Parts List – 49581	17
Parts Diagram – 49582 & 49583	18
Parts List – 49582 & 49583	19
Troubleshooting	20
Replacement Parts	20
Limited Warranty	21

Intended Use

This heavy-duty retractable cord reels are designed for professional use. The guide arms adjust to wall, floor or overhead positions. The spring-driven retractable reels have adjustable locking ratchets to secure the cord at any desired length. Each reel has a triple-tap electrical cord.

Technical Specifications

49581, 30-ft. Cord Reel

Property	Specification
Length (ft.)	30
Cord Size	12/3
Product Size (in.)	12-7/8 Lx 8-1/8Wx 12-3/8 H
Lead-in Cord Length (ft.)	5
Amps	15
Power	125V AC, 60Hz
Mounting Type	Wall, Floor or Ceiling
Weight	20 lbs.

49582, 50-ft. Cord Reel

Property	Specification
Length (ft.)	50
Cord Size	12/3
Product Size (in.)	13-3/8Lx8-3/4Wx15-1/8H
Lead-in Cord Length (ft.)	5
Amps	15
Power	125V AC, 60Hz
Mounting Type	Wall, Floor or Ceiling
Weight	31 lbs.

49583, 75-ft. Cord Reel

Property	Specification
Length (ft.)	75
Cord Size	12/3
Product Size (in.)	16-5/8Lx8-5/8Wx17-3/4H
Lead-in Cord Length (ft.)	5
Amps	15
Power	125V AC, 60Hz
Mounting Type	Wall, Floor or Ceiling
Weight	40 lbs.

Important Safety Information

⚠ WARNING

- Read and understand all instructions. Failure to follow all instructions may result in serious injury.
- The warnings, cautions, and instructions in this manual cannot cover all possible conditions or situations that could occur. Exercise common sense and caution when using this tool. Always be aware of the environment and ensure that the tool is used in a safe and responsible manner.
- DO NOT allow persons to operate or assemble this product until they have read this manual and have developed a thorough understanding of how the product works.
- DO NOT modify the product in any way. Unauthorized modification may impair the function and/or safety and could affect the life of the product. There are specific applications for which the product was designed.
- Use the right tool for the job. DO NOT attempt to force a small equipment to do the work of larger industrial equipment. There are certain applications for which this equipment was designed. It will do the job better and more safely at the capacity for which it was intended. DO NOT use this equipment for a purpose for which it was not intended.
- Industrial or commercial applications must follow OSHA requirements.

⚠ WARNING

WORK AREA SAFETY

- Keep work area clean, dry, free of clutter, and well lit. Cluttered, wet, or dark work areas can result in injury. Using the tool in confined work areas may put you dangerously close to other cutting tools and rotating parts.
- Be aware of all power lines, electrical circuits, water pipes, and other mechanical hazards in your work area. Some of these hazards may be below the work surface hidden from your view and may cause personal harm or property damage if unintentionally contacted.

PERSONAL SAFETY

- Stay alert, watch what you are doing, and use common sense when operating the reel. Do not use the reel while you are tired or under the influence of drugs, alcohol, or medication. A moment of inattention while operating the tool may result in serious personal injury.
- Dress properly. Do not wear loose clothing, dangling objects, or jewelry. Keep your hair, clothing and gloves away from moving parts. Loose clothes, jewelry, or long hair can be caught.
- Wear the proper personal protective equipment when necessary. Use ANSI Z87.1 compliant safety goggles (not safety glasses) with side shields, or when needed, a face shield. Use a dust mask in dusty work conditions. Also use non-skid safety shoes, hardhat, gloves, dust collection systems, and hearing protection when appropriate. This applies to all persons in the work area.
- Do not overreach. Keep proper footing and balance at all times.

Specific Operation Warnings

⚠ WARNING

- Exercise care when handling the cable reel during normal operation. Cord reels have a rotating drum powered by a spring under tension.
- Do not use cord different than what is supplied with this reel. Changes in diameter, weight per foot, length of cord or flexibility will affect the operation of the reel.
- Mounting hardware and fasteners should be installed to maintain tightness under vibration and checked periodically to ensure tightness. Mounting hardware and fasteners not included.
- Ensure that only the qualified electrician can install/service this cord reel. And it must not be used by children or unskilled persons.
- Ensure that power supply voltage does not exceed the maximum voltage rating of the reel.
- Ensure that the reel is properly installed before connecting to power supply.
- Ensure that all electrical power is disconnected from reel before servicing.
- Check for frayed or broken wires before each use.
- When pulling the electrical cord from the reel always grasp the electrical cord itself, not the work device.
- Disconnect power from the reel immediately if any malfunction occurs.
- Never remove, tamper with or cut out the safety devices fitted by the manufacture.
- Do not use the reel in damp or wet conditions. Avoid getting debris in the cord reel.

Grounding

⚠ WARNING

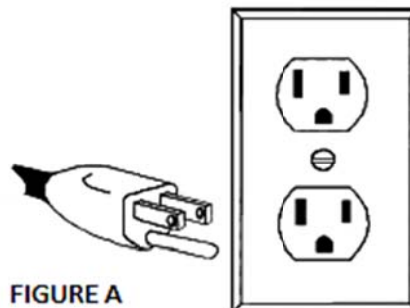
- This machine must be grounded while in use to protect the operator from electrical shock. This drill press is equipped with an electrical cord that has an equipment grounding conductor and a grounding plug. The plug **MUST** be plugged into a matching receptacle that is properly installed and grounded in accordance with ALL local codes and ordinances.
- **DO NOT MODIFY THE PROVIDED PLUG.** If it will not fit the receptacle, have the proper receptacle installed by a qualified electrician.
- **CHECK** with a qualified electrician or service person if you do not completely understand the grounding instructions, or if you are not sure the tool is properly grounded.

Grounded Tools: Tools with 3-Prong Plugs

Tools marked with **Grounding Required** have a 3-wire cord and 3-prong grounding plug. The plug must be connected to a properly grounded outlet. If the tool should electrically malfunction or break down, grounding provides a low resistance path to carry electricity away from the user, reducing the risk of electric shock. (See Figure A.)

The grounding prong in the plug is connected through the green wire inside the cord to the grounding system in the tool. The green wire in the cord must be the only wire connected to the tool's grounding system and must never be attached to an electrically live terminal.

Your tool must be plugged into an appropriate outlet, properly installed and grounded in accordance with all codes and ordinances. The plug and outlet should look like those in the following illustration.



Assembly – 49581

⚠ WARNING

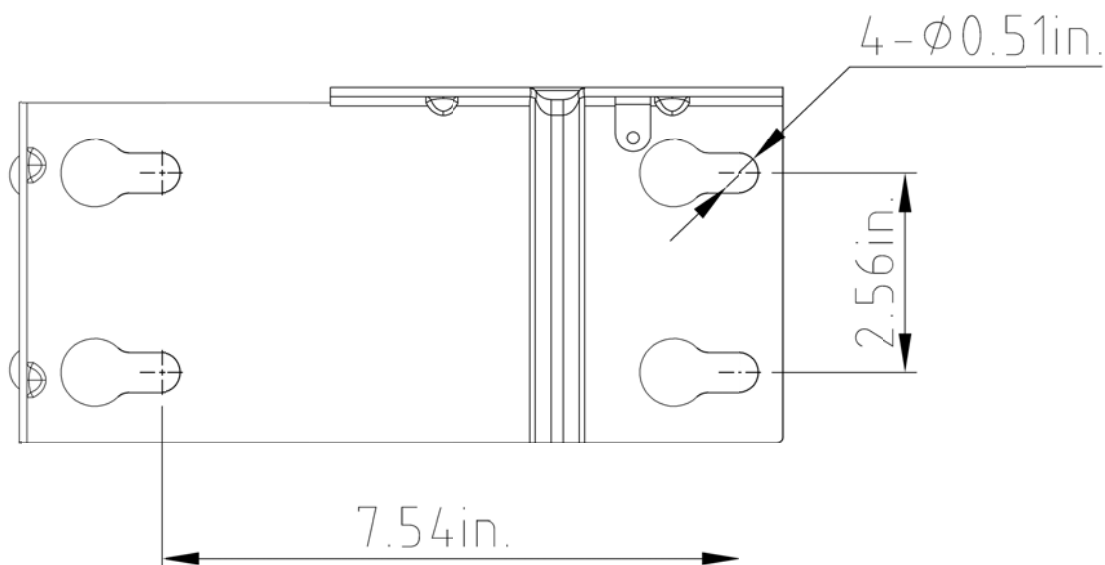
- This cord reel is intended for industrial use and is provided with permanent mounting means. This equipment should be properly installed before use in accordance with local codes and ordinances.
- Only qualified personnel should undertake the installation and commissioning of this product. Failure to comply with instructions could result in personal injury and/or property damage.

Note: Before beginning assembly/installation, purchase appropriate hardware for mounting the reel. The pedestal has four 7/16" (10.5mm) holes for mounting on a suitable flat surface. Purchase four 7/16" or M12 bolts (not included) along with washers.

1. Before installing the reel, be certain the power supply does not exceed the voltage / amperage rating of the reel.
2. Unpack the reel then check that all parts are present and inspect for damage. Check reel function for smooth rotation.

Note: The reel should NOT be installed higher than 15 feet above the floor.

3. Fasten the pedestal (5) in the desired location. Reel dimensions and the pattern of the mounting holes in the base are shown below. Tighten all hardware securely.



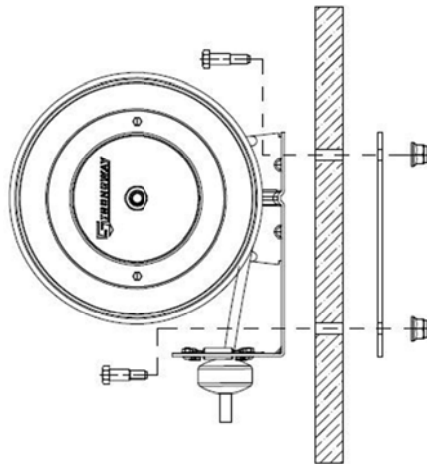
Note: Ensure the reel has been properly installed before connecting power. Mounting hardware and fasteners should be installed to maintain tightness under vibration and checked periodically to ensure tightness.

If the reel was supplied with hose already wound on it, continue with step 8. If not, continue with the next step.

4. Turn the reel drum by hand until the rewind spring is tight, and drum has latched. As an extra precaution while installing the new cord, secure the drum in its latched position.
5. Insert the plug end of the new cord through roller guide of the pedestal (5) then route it through the hole in the drum flange and plug it into the electronic bushing assembly (24) of the reel.
6. Attach the cord stopper (30) to the other end of cord.

7. Carefully release the drum latch, and slowly allow cord to wind onto the reel in a controlled way making sure the cord winds in even, straight turns on the reel.
8. Plug the cord into the power outlet and check that there is power at all three taps. Also check the reel for correct rotation/latching (see the Operating Instructions).
9. If a final adjustment to the hose stopper is required, pull the cord from the reel and allow it to latch at a desired length. Loosen the stopper bolts, and slide the stopper to a desired position along the cord then retighten the stopper bolts.

To mount reel to a pillar you will need mount plate (31) as shown below



⚠ WARNING

- Do not disassemble a spring assembly for any reason! Serious personal injury could result. Reels are equipped with a spring under tension.

Assembly – 49582 & 49583

⚠ WARNING

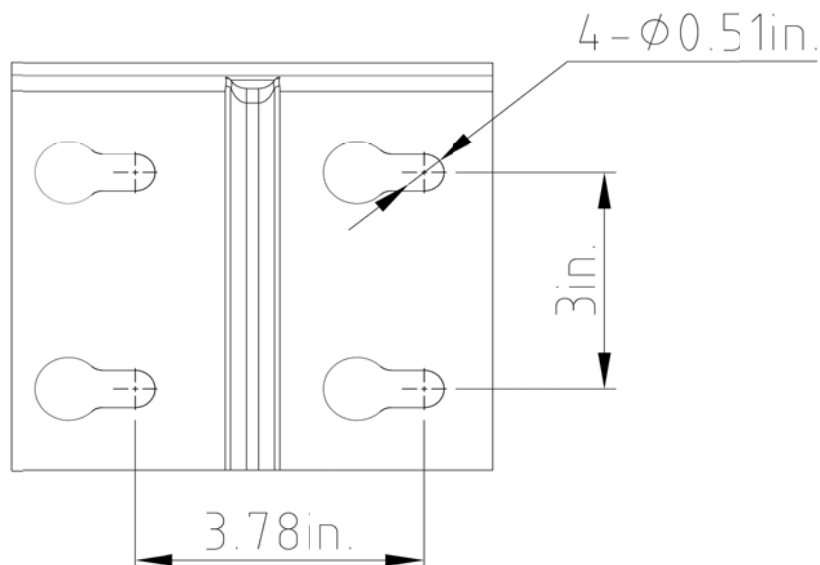
- This cord reel is intended for industrial use and is provided with permanent mounting means. This equipment should be properly installed before use in accordance with local codes and ordinances.
- Only qualified personnel should undertake the installation and commissioning of this product. Failure to comply with instructions could result in personal injury and/or property damage.

Note: Before beginning assembly/installation, purchase appropriate hardware for mounting the reel. The L-shaped support has four 7/16" (10.5mm) holes for mounting on a suitable flat surface. Purchase four 7/16" or M12 bolts (not included) along with washers.

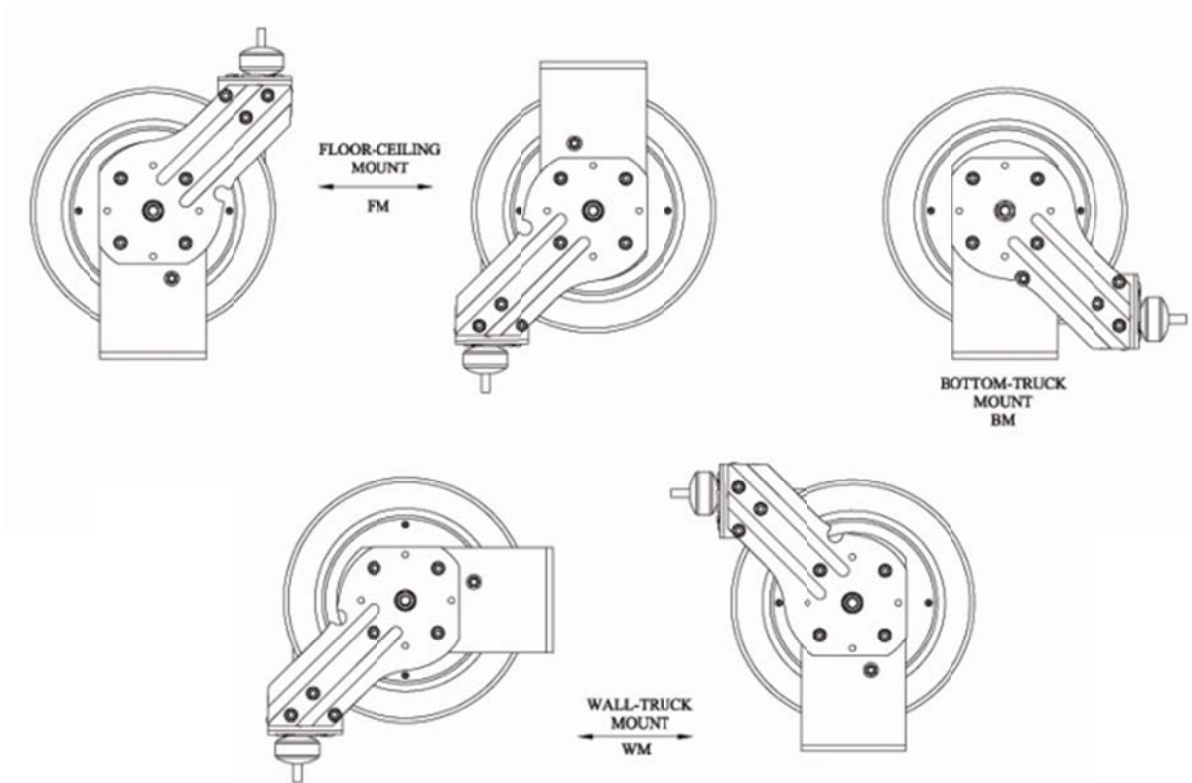
1. Before installing the reel, be certain the power supply does not exceed the voltage / amperage rating of the reel.
2. Unpack the reel then check that all parts are present and inspect for damage. Check reel function for smooth rotation.

Note: The reel should NOT be installed higher than 15 feet above the floor.

3. Fasten the L-shaped support (12) in the desired location. Reel dimensions and the pattern of the mounting holes in the base are shown below. Tighten all hardware securely.



The roller guide bracket (4) that guides the cord on and off the reel can be repositioned for better function as shown in the pictures below. If desired, follow steps 4 through 8 to reposition the bracket. Otherwise continue with step 9.



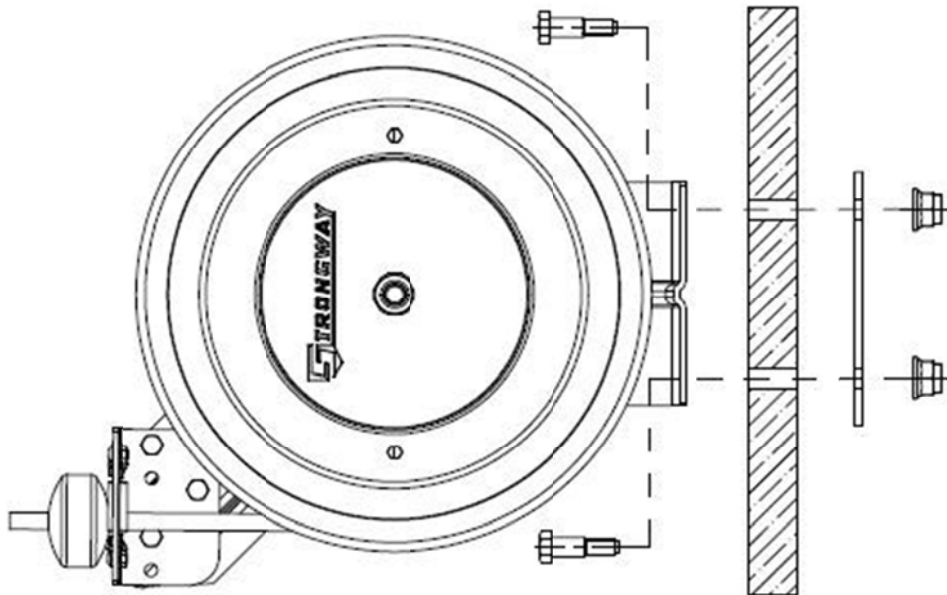
4. Pull out the hose (if installed on the reel) or turn the reel drum until the reel latches.
5. Maintaining a firm hold on spool, disengage the reel latch and allow the reel to turn in the direction of the drive spring approximately two or three revolutions until tension is released.
6. Remove the nuts and washers holding the roller guide bracket to the L-shaped support (12).
7. Turn the bracket to any of the positions shown above then replace and tighten the nuts and washers.
8. Tighten the drive spring by turning the spool two or three revolutions then engage the latch.

Note: Ensure the reel has been properly installed before connecting power. Mounting hardware and fasteners should be installed to maintain tightness under vibration and checked periodically to ensure tightness.

If the reel was supplied with hose already wound on it, continue with step 22. If not, continue with the next step.

9. Turn the reel drum by hand until the rewind spring is tight, and drum has latched. As an extra precaution while installing the new cord, secure the drum in its latched position.
10. Insert the plug end of the new cord through roller guide assembly (5) then route it through the hole in the drum flange and plug it into the electronic bushing assembly (29) of the reel.
11. Attach the cord stopper (35) to the other end of cord.
12. Carefully release the drum latch, and slowly allow cord to wind onto the reel in a controlled way making sure the cord winds in even, straight turns on the reel.
13. Plug the cord into the power outlet and check that there is power at all three taps. Also check the reel for correct rotation/latching (see the Operating Instructions).
14. If a final adjustment to the hose stopper is required, pull the cord from the reel and allow it to latch at a desired length. Loosen the stopper bolts, and slide the stopper to a desired position along the cord then retighten the stopper bolts.

To mount reel to a pillar you will need mount plate (36) as shown below



⚠ WARNING

- Do not disassemble a spring assembly for any reason! Serious personal injury could result. Reels are equipped with a spring under tension.

Before Each Use

- Check for damaged reel parts and for frayed, worn, or lacerated power cord before each use. Carefully check that the reel will operate properly and perform its intended function. Replace damaged or worn parts immediately. Never operate the reel with a damaged part.
- As with any electrical device, dry your hands before using the reel.

Operating Instructions

⚠ WARNING

- Do not use the reel where there is a risk of causing a fire or an explosion; e.g., in the presence of flammable liquids, gases, or dust. The reel can create sparks, which may ignite the dust or fumes.
- Do not exceed 15 amps total current use with one, two, or three tools plugged into the reel's triple tap. Exceeding the rated capacity could result in loss of power and overheating
- Always pull on cord/cable itself. Never pull on the attachment.
- Exercise care when handling the cable reel during normal operation. Cable reels have a rotating drum powered by a spring under tension. Do not allow the cord to retract without restraining the recoil speed. Never let go of the cord when rewinding.
- Keep children and bystanders away from the work area while operating the tool. Do not allow children to handle the tool.

- Check the reel for correct operation by slowly pulling out the cord. A "clicking" noise will be heard every half revolution of the drum.
 - To latch the reel, pull out the cord then allow it to retract after hearing the first, second, or third "click".
 - To unlatch the reel, slowly pull out the cord until the "clicking" noise stops then, holding on to the cord, let it retract in a controlled way until the cord stop rests against the cord guide rollers.

⚠ WARNING

- Do not allow cable to retract without restraining recoil speed. Never let go of the cable when rewinding.
- Keep the cord and taps dry, clean, and free from oil and grease.
 - Periodically clean the cord.
 - Also periodically check the cord condition for wear or damage. See the maintenance section for the cord replacement procedure.

⚠ WARNING

- Unplug the power source before cleaning the cord to avoid electrical shock. Use a cloth dipped in warm water to remove dirt or deposits and ensure correct winding on the reel. Do not use detergents or solvents which could prove incompatible with cable-winder materials. Allow the cord and connections to THOROUGHLY dry before plugging the cord back into a power outlet.

Spring Tension Adjustment

⚠ WARNING

- Improper tensioning of spring or adding too many pre-wraps may cause damage to the spring mechanism. Only authorized personnel should make these adjustments.
- Avoid accidentally releasing the reel's latching mechanism. The reel is under tension and accidental release can cause a wildly spinning reel and personal injury.
- Do not allow the cord to retract without restraining the recoil speed. Never let go of the cord when rewinding.

If necessary, adjust spring tension on reel by adding or removing wraps of cord from spool, one wrap at a time, until desired tension is obtained.

1. Pull out approximately 6 or 8 feet of cord and allow the drum to latch.
2. Remove cord stop from the cord and pull the cord back through guide rollers.

⚠ CAUTION

When adding wraps of cord to the reel, be careful not to exceed the winding mechanism's spring capacity. Add just enough wraps of hose to achieve the desired tension. Damage to the winding mechanism will result if spring is over-tensioned.

3. To increase spring tension, wrap the loose cord one extra turn around the drum or, to decrease tension, un-wrap the cord one turn from drum.
4. Re-insert the cord through guide rollers and install the cord stop at the desired distance from the cord end.
5. Unlatch the drum and check the tension. Readjust the tension by repeating these steps.

After Each Use

- Inspect the reel, parts, alignment, and cord periodically after use so that worn or damaged parts can be ordered and replaced before the next use.

⚠ WARNING

- Have damaged or worn parts repaired or replaced by an authorized service technician.
- DO NOT disassemble the main spring assembly for any reason! The spring can be under high tension and accidental release can cause severe personal injury.

Maintenance

⚠ WARNING

- Only properly trained persons should inspect a reel. Dismantling of the unit by unskilled personnel could prove hazardous; the risk involved mainly concern the preloaded spring.
- Disconnect the power supply from the reel before making any adjustments, changing parts, or storing the reel.

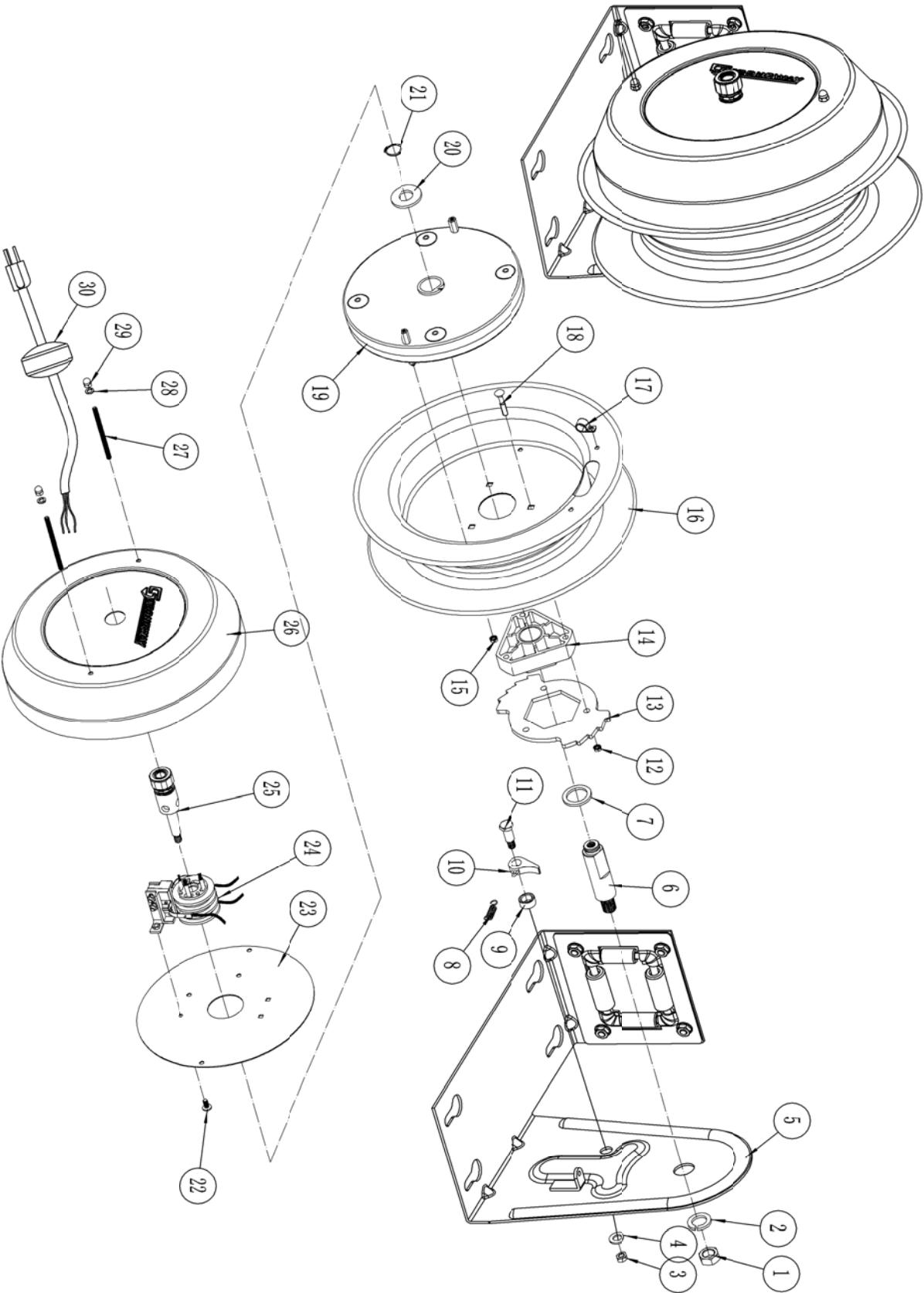
⚠ WARNING

If the rewind spring fails, for safety reasons, it is strongly recommended the replacement of the spring canister be performed by an authorized service technician. The spring can be under high tension and accidental release can cause severe personal injury.

Maintain the reel. It is recommended that the general condition of any tool be examined before it is used. Keep the reel in good repair by adopting a program of conscientious repair and maintenance in accordance with the recommended procedures found in this manual.

- Use only identical parts with the reel. Do not use a cord different than what is supplied with this reel. Changes in diameter, weight per foot, length of cord or flexibility will affect the operation of the reel.
- Do not use detergents or solvents which could prove incompatible with cord-winder materials. If the event of having to perform maintenance on the electrical, mechanical parts or replace the cord, contact an authorized after-sale service center.
- After maintenance, allow the cord and connections to dry THOROUGHLY before plugging the cord back into a power outlet.

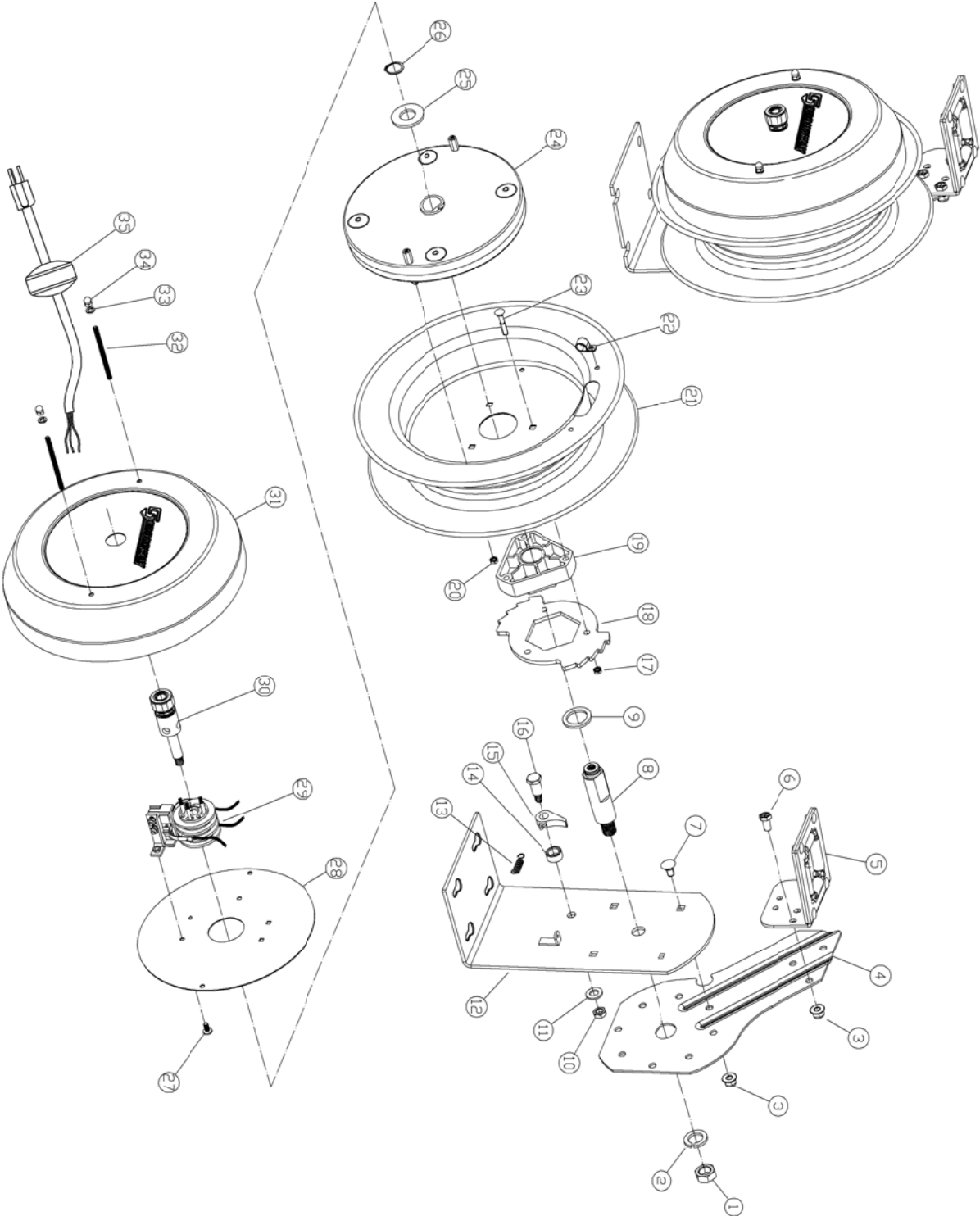
Parts Diagram – 49581



Parts List – 49581

Part No.	Description	Quantity
1	M16 Hexagon Nut	1
2	M16 Spring Gasket	1
3	M10 Nut	2
4	M10 Flat Gasket	1
5	Pedestal	1
6	Big Axis	1
7	Metal Gasket	1
8	Ratchet Spring	1
9	Ratchet Bushing	1
10	Ratchet	1
11	Ratchet Axis	1
12	M6 Nut	3
13	Ratchet Wheel	1
14	Plastic piece for Ratchet Wheel	1
15	M5 Nut	7
16	Drum	1
17	Cord Clip	2
18	Semicircle Carriage Bolts	3
19	Main Spring Assembly	1
20	Gasket	1
21	Circle Clip	1
22	Fixed Screw	3
23	Fixed Plate	1
24	Electronic Bushing Assembly	1
25	Wire Connector	1
26	Cover	1
27	Fixed Screw for Cover	2
28	M5 Spring Gasket	2
29	M5 Round Head Hex Nuts	2
30	Cord stopper	1
31	Mount Plate (not shown)	1

Parts Diagram – 49582 & 49583



Parts List – 49582 & 49583

Part No.	Description	Quantity
1	M16 Hexagon Nut	1
2	M16 Spring Gasket	1
3	M8 Nut	2
4	Roller Guide Bracket	1
5	Roller Guide Assembly	1
6	M8 Hexagonal Screw	1
7	M8 Semicircle Carriage Bolts	1
8	Big Axis	1
9	Metal Gasket	1
10	M10 Nut	1
11	M10 Flat Gasket	1
12	L Shape Support	1
13	Ratchet Spring	1
14	Ratchet Bushing	1
15	Ratchet	1
16	Ratchet Axis	1
17	M6 Nut	1
18	Ratchet Wheel	1
19	Plastic Piece For Ratchet Wheel	1
20	M5 Nut	1
21	Right Drum	1
22	Cord Clip	1
23	Semicircle Carriage Bolts	1
24	Main Spring Assembly	1
25	Gasket	1
26	Circle Clip	1
27	Fixed Screw	1
28	Fixed Plate	1
29	Electronic Bushing Assembly	1
30	Wire Connector	1
31	Cover	1
32	Fixed Screw For Cover	2
33	M5 Spring Gasket	2
34	M5 Round Head Hex Nuts	2
35	Cord Stopper	1
36	Mount Plate (not shown)	1

Troubleshooting

TROUBLE	CAUSE	REMEDY
Cable will not fully retract.	a) Outlet attachment is too heavy. b) Spring is fatigued	a) Add spring tension. See "Spring Tension Adjustment". b) Add spring tension. See "Spring Tension Adjustment".
Cable will not retract at all.	Spring has lost all tension or has possibly broken.	Reinstall Spring Tension
Reel will not latch.	Incurred operation	Reel latches on first, second, third or fourth "click." After forth "click," it automatically rewinds.
No electrical power at output end of cable.	a) Wires are severed. b) Wires have become disconnected.	a) Replace. b) Check all connections ensuring they are properly wired.
Breaker or fuse repeatedly blown.	a) Application does not conform to the electrical rating of the reel. b) Wires are broken or shorted.	a) Check electrical rating on reel label. Do not attempt to use a reel that is not rated properly for the application. b) Check wiring path on reel to determine if wires are broken or shorted.
Reel retracts too fast.	Reel is improperly tensioned.	Decrease spring tension. See "Spring Tension Adjustment" Note: When weather is extremely hot, the reel will normally operate slightly faster than in cooler conditions.
Cable locks up when fully extended.	Cable damp is in the incorrect position.	Relocate cable clamp to optional location.

Replacement Parts

- For replacement parts and technical questions, please call Customer Service at **1-800-222-5381**.
- Not all product components are available for replacement. The illustrations provided are a convenient reference to the location and position of parts in the assembly sequence.
- When ordering parts, the following will be required: model number, serial number/lot date code, and description.
- The distributor reserves the rights to make design changes and or improvements to product lines and manuals without notice.

Limited Warranty

Northern Tool and Equipment Company warrants this Retractable Cord Reel, components and parts, unless otherwise specified, under normal use and service for a period of one year. Northern Tool and Equipment Company reserves the right to substitute an equivalent model cord reel (or parts) in the event this specific model (or part) is no longer available.

Limitations on the Warranty

This limited warranty does not cover: (a) normal wear and tear; (b) damage through abuse, neglect, misuse, or as a result of any accident or in any other manner; (c) damage from misapplication, overloading, or improper installation; (d) improper maintenance and repair; and (e) product alteration in any manner by anyone other than us, with the sole exception of alterations made pursuant to product instructions and in a workmanlike manner.

Obligations of Purchaser

You must retain your product purchase receipt to verify date of purchase and that you are the original purchaser. To make a warranty claim, contact us at 1-800-222-5381, identify the product by make and model number, and follow the claim instructions that will be provided. The product and the purchase receipt must be provided to us in order to process your warranty claim. Any returned product that is replaced or refunded by us becomes our property. You will be responsible for return shipping costs or costs related to your return visit to a retail store.

Remedy Limits

Product replacement or a refund of the purchase price is your sole remedy under this limited warranty or any other warranty related to the product. We shall not be liable for: service or labor charges or damage to your property incurred in removing or replacing the product; any damages, including, without limitation, damages to tangible personal property or personal injury, related to your improper use, installation, or maintenance of the product; or any indirect, incidental or consequential damages of any kind for any reason.

Governing Law

This limited warranty gives you specific legal rights, and you also may have other rights which vary from state to state. Some states do not allow limitations or exclusions on implied warranties or incidental or consequential damages, so the above limitations may not apply to you. This limited warranty is governed by the laws of the State of Minnesota, without regard to rules pertaining to conflicts of law. The state courts located in Dakota County, Minnesota shall have exclusive jurisdiction for any disputes relating to this warranty.



Distributed by
Northern Tool and Equipment Company, Inc.
Burnsville, Minnesota 55306
NorthernTool.com

Made in China