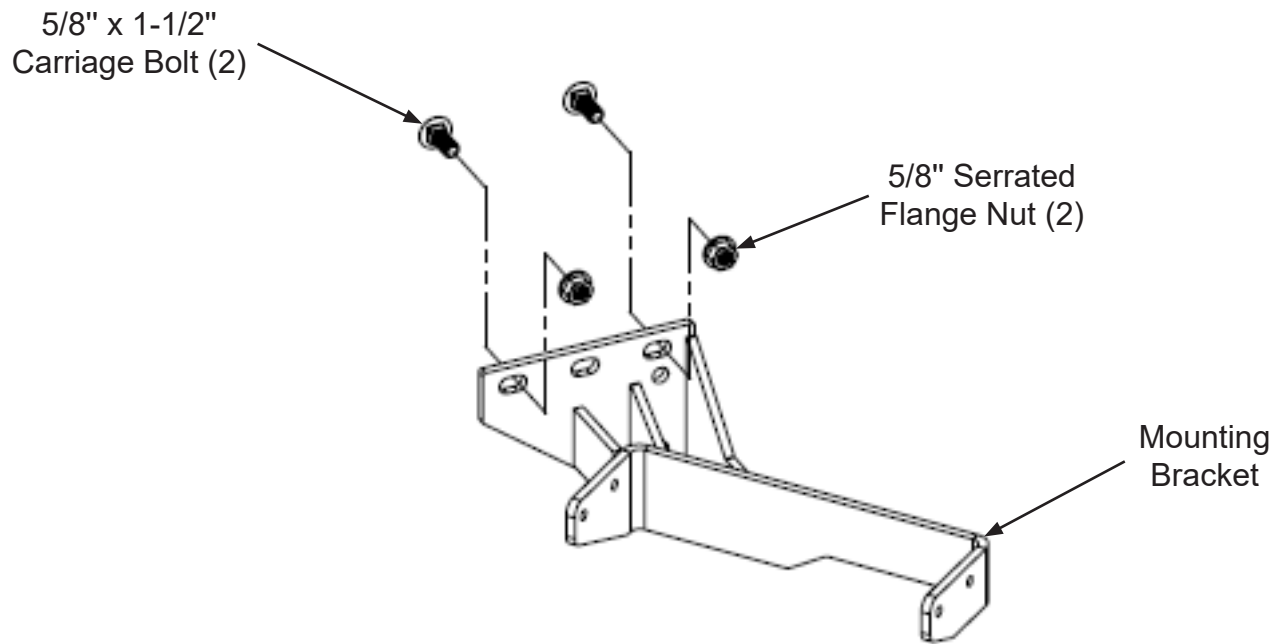


## Installation Guide

### JD Regular Series Bolt Together LH Step (PN: 3436)

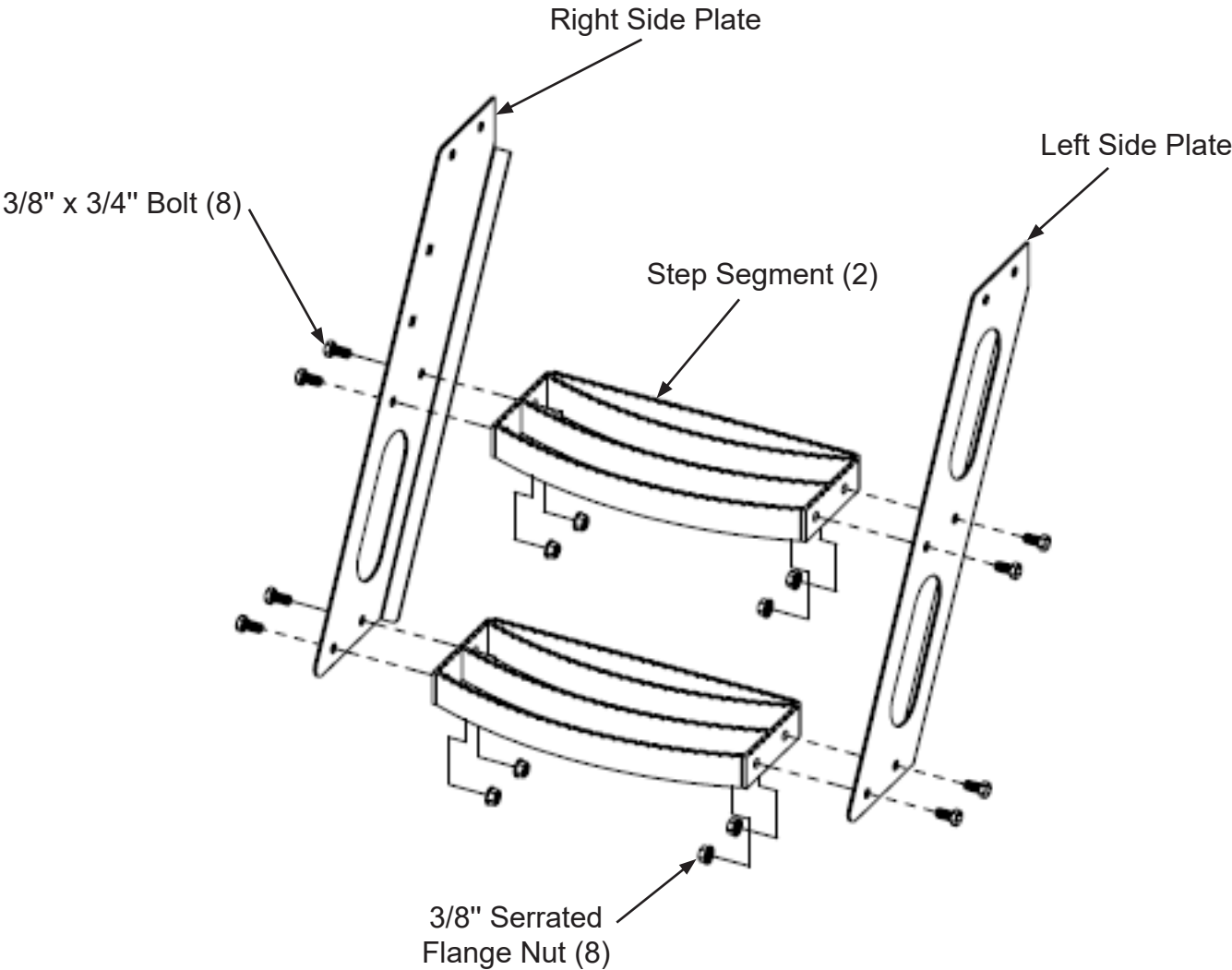
1. Remove the original step from the tractor.
2. If installing on a 10 or 20 Series tractor, install the 3401 adapter bracket at this time. Otherwise, proceed to step 3.
3. Attach the mounting bracket to the tractor as close to the battery box as possible. Use two 5/8" x 1-1/2" carriage bolts and 5/8" serrated flange nuts to secure in place.



# Installation Guide

## JD Regular Series Bolt Together LH Step (PN: 3436)

4. Fasten two of the step segments to the left and right side plates using eight 3/8" x 3/4" bolts and 3/8" serrated flange nuts.



# Installation Guide

## JD Regular Series Bolt Together LH Step (PN: 3436)

- 5. Attach the side plates and step segments that were assembled in the previous step along with the third step segment to the mounting bracket using four 3/8" x 1-1/4" bolts and serrated flange nuts.
- 6. If a handrail was purchased, install it at this time using two 3/8" x 1" carriage bolts and serrated flange nuts.

