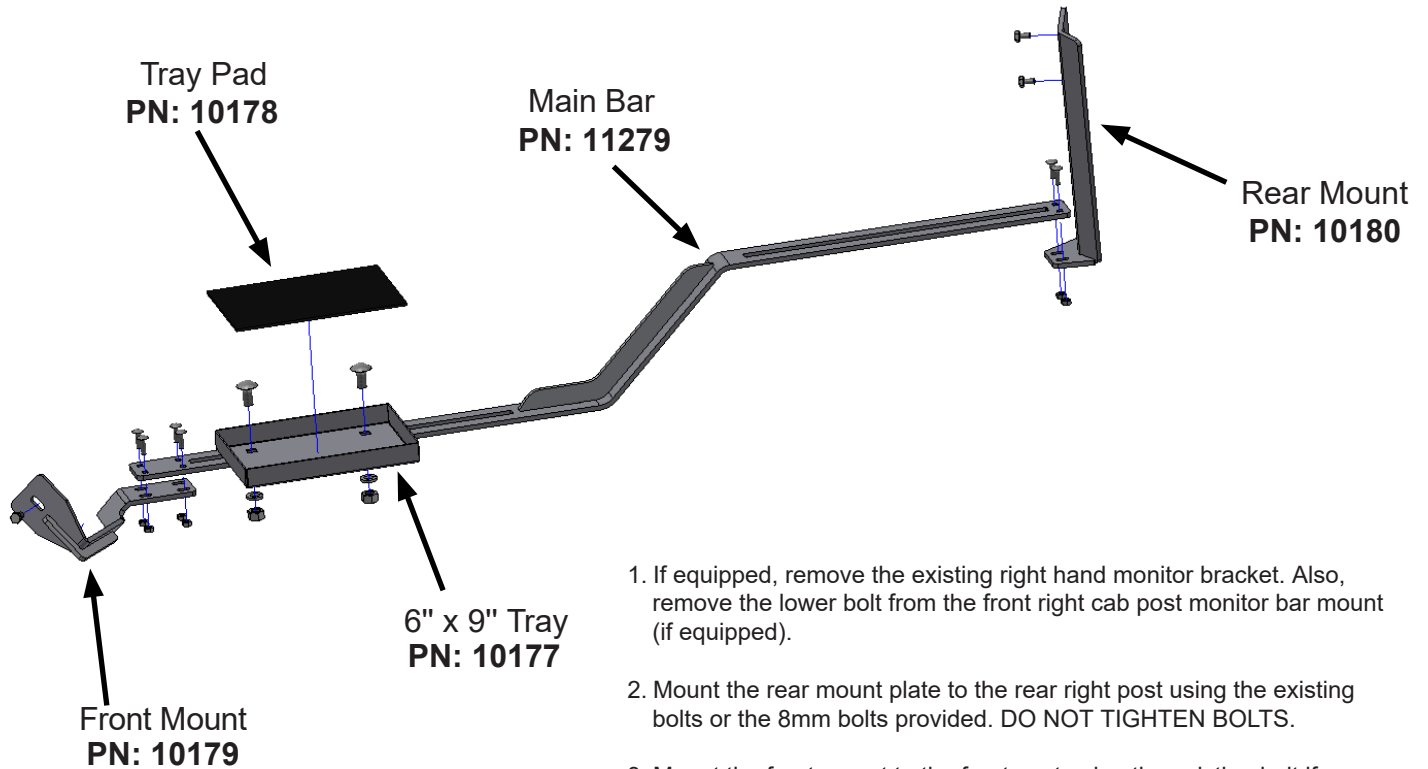


Installation Guide

CIH MX/Magnum & FNH T8 Monitor Bracket (PN: 3192)

FITS CASE IH® MX & MAGNUM OR FNH T8 SERIES TRACTORS MODEL YEARS 2014 & NEWER



1. If equipped, remove the existing right hand monitor bracket. Also, remove the lower bolt from the front right cab post monitor bar mount (if equipped).
2. Mount the rear mount plate to the rear right post using the existing bolts or the 8mm bolts provided. **DO NOT TIGHTEN BOLTS.**
3. Mount the front mount to the front post using the existing bolt if equipped. If your tractor has the front monitor bar, mount it can be mounted in between the bar and the cab post or the existing bar can be removed. If you remove the bar keep the spacer that goes between it and the cab post. If your tractor does not have the front monitor bar, and spacer; use a couple of washers to space the front mount out so that it does not force the plastic in. **DO NOT TIGHTEN BOLTS.**
4. Mount the main bar using two 1/4" x 3/4" carriage bolts and lock nuts on the rear mount and four 1/4" x 3/4" bolts and lock nuts on front mount. **DO NOT TIGHTEN.**
5. Place the tray in desired location and fasten using the 1/2" x 1-1/4" bolts, lock washers, and nuts.
6. Tighten all hardware.