



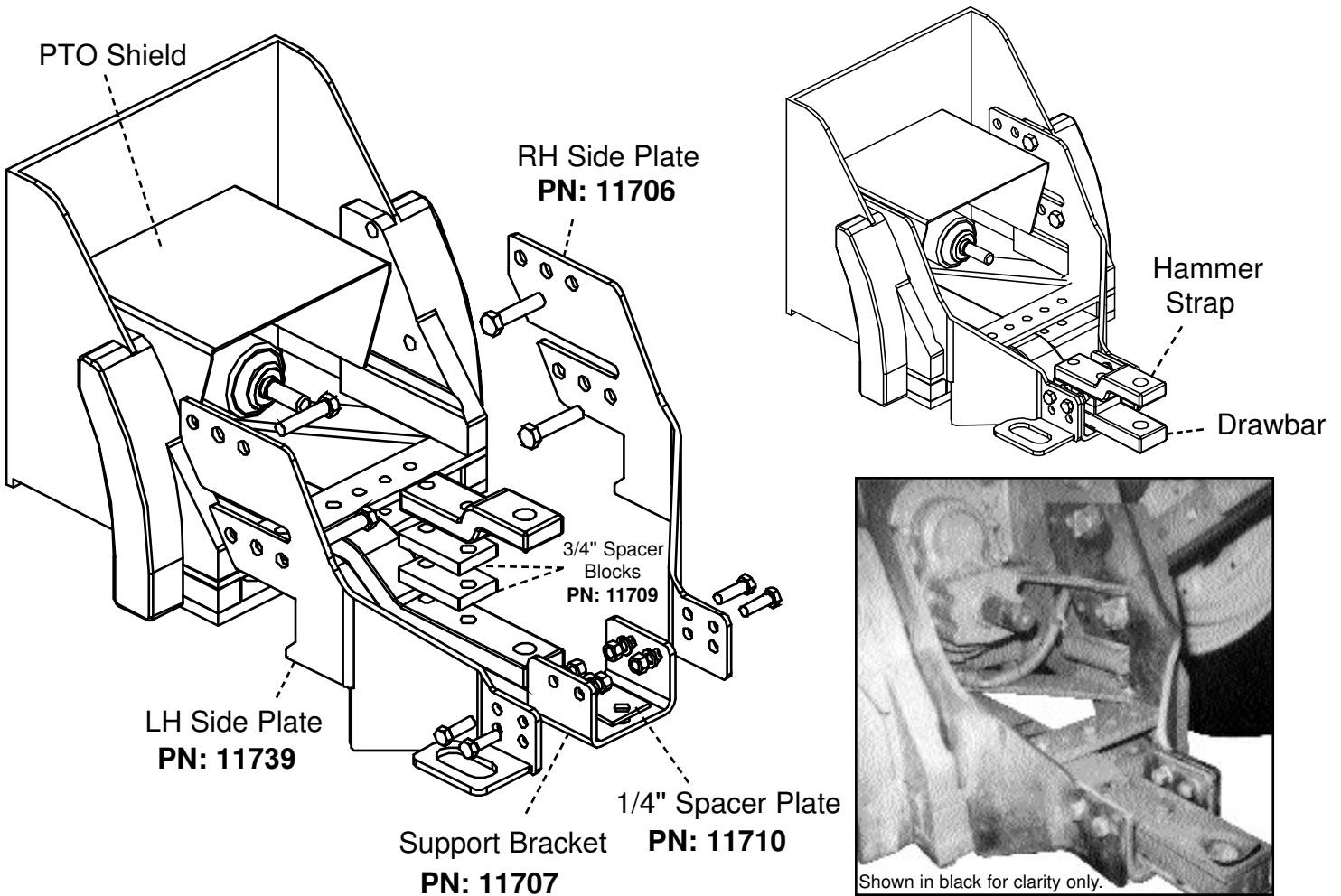
Installation Guide

JD 8000 Series Drawbar Reinforcement (PN: 1451)

**FITS 8000 & 8020 WHEEL TRACTORS WITH 2" X 3" DRAWBARS.
Will NOT Fit 8520 Wheel Tractor.**

1. Remove the **PTO shield** as shown below.
2. Install the **side plates** using the four provided 20mm x 90mm bolts.
3. Bolt the **support bracket** to the **side plates** using four 5/8" x 2" bolts, lock washers and nuts. The **1/4" spacer plate** goes between the **support bracket** and the **drawbar**.
4. Re-install the **PTO shield**.

NOTE: When installing on an Early 8000 Series, use the 3/4" spacer blocks between the drawbar and the hammer strap, as shown. Fasten using the original bolts.



Technical Support

Phone: 1.800.328.1752 / Website: www.tractorseats.com