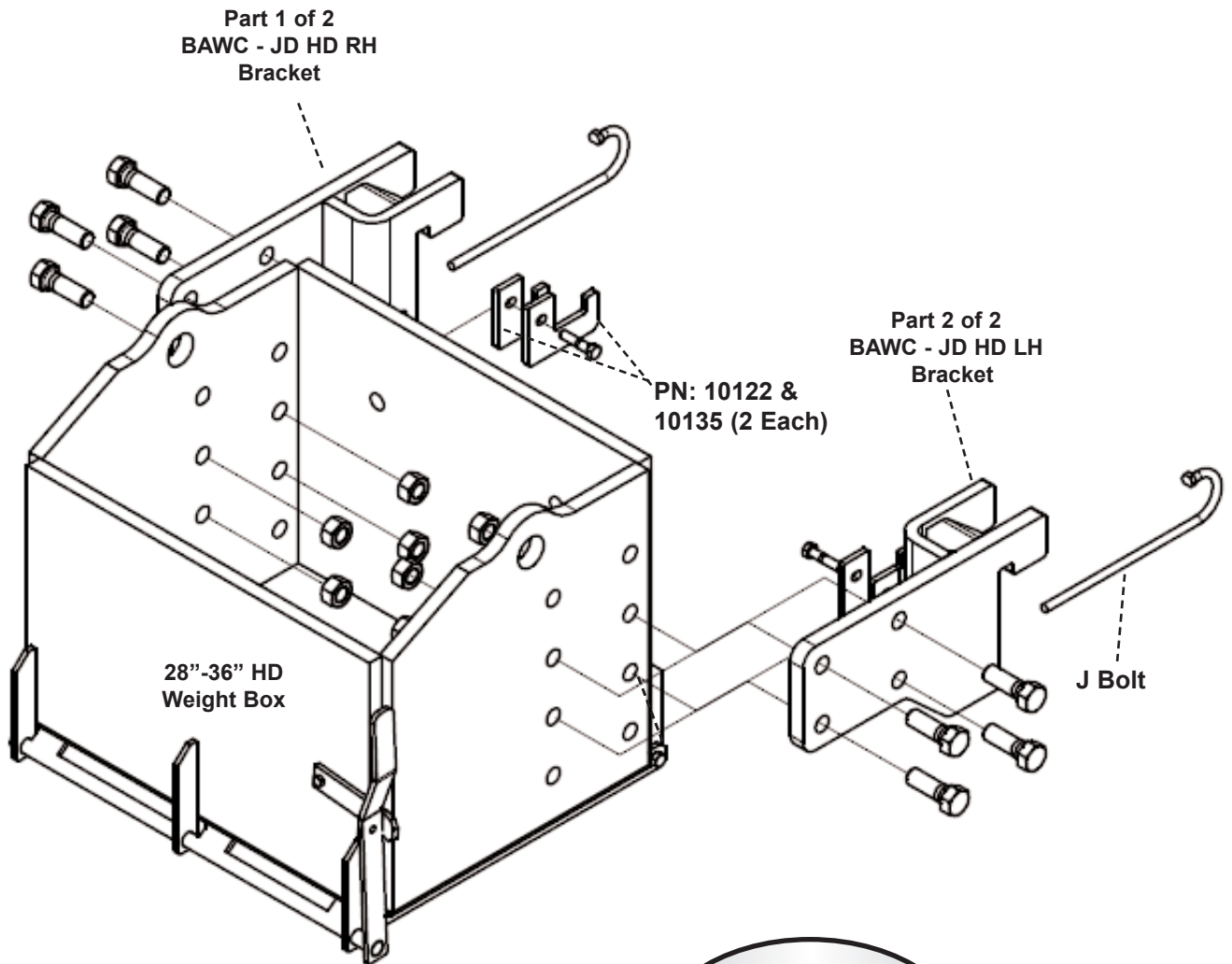


# JD HEAVY DUTY BAWC 28"-36"

7000, 8000, 9000 Series

Part Number: 2478

(Heavy Duty Weight Box - 28" PN: 1813, 36" PN: 1815)



**NOTE:** You will not use all of the attachment hardware. You will only use one set of the three mounting hooks (**10122**, **10135** or the **J-Bolts**) depending on the weight cage. Cages that are solid on the back side will use one of the steel hooks (**PN: 10122** or **10135**). Cages that are hollow on the back side will use the **J-bolt**.

Also Includes  
Weight Box  
Mounting Bolt Bag  
(PN: 40007)



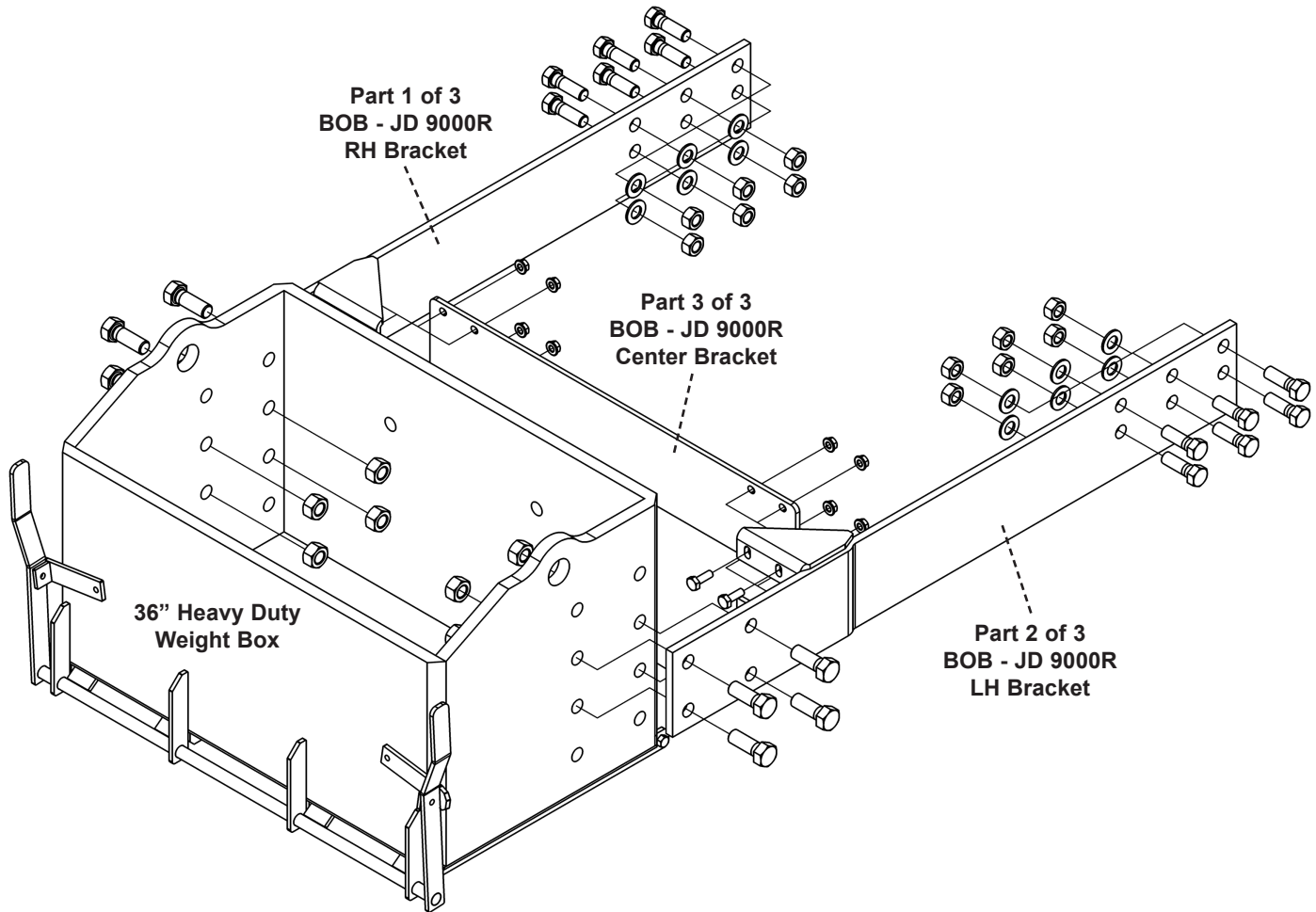
Phone - 800.328.1752  
Fax - 320.329.3709  
Email - sales@tractorseats.com  
Web Site - www.tractorseats.com  
P.O. Box 409 - 308 NW 2nd Street  
Renville, MN 56284

# John Deere 9000R Heavy Duty BOA 36"

JD 9360R, 9410R, 9460R, 9510R, 9560R

Part Number: 2496

(36" Heavy Duty Weight Box Part Number: 1815)



Also Includes  
Weight Box  
Mounting Bolt Bag  
(PN: 40007)



Phone - 800.328.1752  
Fax - 320.329.3709  
Email - sales@tractorseats.com  
Web Site - www.tractorseats.com  
P.O. Box 409 - 308 NW 2nd Street  
Renville, MN 56284